

140 (5.511)

159 (6.259)

105 (4.134)

ValPar

Heavy Duty Lighting

ABOUT ValPar Lighting



A DIVERSE PRODUCT LINE FOR ALL OF YOUR APPLICATIONS

ValPar is pleased to offer you a wide range of premium quality work and auxiliary lights. From halogen to LED, we have you covered to meet the high durability demands for all of your heavy duty machine applications.

If you're looking for the best in performance with no maintenance, consider ValPar LED. The products range from an entry level halogen replacement SL to a 5000 lumen output product. Our premium performance line of LED's are OEM approved with the largest heavy equipment manufacturers in the world. We pull heat efficiently out of the product to maintain peak performance for 20,000 hours. Our lights are designed to simulate daylight color temperature and achieve the most lumens per watt in the industry. This assures your work is being performed as efficiently as possible.

With our halogen line, you are selecting a worldwide volume leader for cost and optical performance using a replaceable bulb. While halogen technology has been surpassed by better options, rest assured your ValPar halogen lights will meet the OEM performance specifications.

HID offers the strong lumen punch, usually desired for driving applications. ValPar offers HID options within heavy duty work and auxiliary products.

Whether you are replacing lights for a fleet of mining vehicles or you are simply upgrading the lighting package for your utility truck, ValPar has exactly what you need to get the job done.

TABLE OF CONTENTS







Light Patterns:

F = Flood
LR = Long Range
WF = Wide Flood
S = Spot Beam
T = Trapezoidal
BB = Broad Beam
PB = Pencil Beam













LED LIGHTING

Photo	Product	Intended Use	Bulbs	Voltage / Ballast	Light Pattern*	Mounting	Connection	Page
	500 LED 850	WORK	4 LED	12-24 V	F	Pedestal, Pendant	Int DT, AMP	6
	500 LED 1200	WORK	5 LED	12-100 V	F, LR	Pedestal, Pendant	Int DT, AMP	7
	500 LED 2000	WORK	6 LED	12-100 V	F, LR	Pedestal, Pendant	Int DT, AMP	8
	500 LED 3000	WORK	6 LED	12-100 V	F, WF, LR	Pedestal, Pendant	Int DT, AMP	9
	2500 LED 3000	WORK	7 LED	12-100 V	F, WF, LR	Pedestal, Pendant	Int DT, AMP	10
	2500 LED 5000	WORK	10 LED	12-100 V	F, WF, LR	Pedestal, Pendant	Int DT, AMP	11
	500 LED Blue	SAFETY	1 LED	12-100 V	S	Pedestal, Pendant, Side	Int DT, AMP	12
	MY LED 2700	WORK	6 LED	12-24 V	F	Pedestal, Pendant, Side	Bare lead, AMP	13

HID/XENON LIGHTING

Photo	Product	Intended Use	Bulbs	Voltage / Ballast	Light Pattern*	Mounting	Connection	Page
	HID 500	WORK	D1S	12/24V	F, T, LR, S	Pedestal, Pendant	Bare lead, Int DT, AMP	15
	HID 700	WORK	D1S	12/24V	F	Pedestal, Pendant	Bare lead, Int DT	16
	MY HID 7700	WORK	D1S	12/24V	F, WF, BB	Pedestal, Pendant, Side	Bare lead, custom	17
	ALPHA 225 PRO	AUX	D1S	12/24V	BB, PB	Pedestal	Bare lead	18
	ALPHA 175	AUX	XENON	Ext., 9-32V	BB, PB	Pedestal, Pendant	Bare lead	19
	BETA	AUX	XENON	Ext., 9-32V	BB, PB	Pedestal, Pendant	Bare lead	20

HALOGEN LIGHTING

Photo	Product	Intended Use	Bulbs	Voltage / Ballast	Light Pattern*	Mounting	Connection	Page
	500 SERIES	WORK	H3	12/24/36/48V	F, LR	Pedestal, Pendant, Right/Left	Bare lead, Int DT, AMP, custom	22
	700 SERIES	WORK	H3	12/24V	F, LR	Pedestal, Pendant, Side	Grommet, Int DT	23
	1100 SERIES	WORK	H3	12/24/36/48V	F	Pedestal, Pendant, Side	Bare lead, sp. term, custom	24
	1500 SERIES	WORK	H3	12/24/36/48V	F	Pedestal, Pendant, Right/Left	Bare lead, custom	25
	2500 SERIES	WORK	H3	12/24/36/48V	F, S	Pedestal, Pendant, Side	Bare lead, AMP	26
	2560	WORK	H3	12/24/36/48V	F, S	Pedestal, Pendant, Side	Bare lead, AMP	27
	3800	DRIVE	H4	12/24V	SAE and ECE approval LH/RH	Pedestal, Pendant, Side	Int DT, comp. seal	28
	3005	DRIVE	H4	12/24V	ECE, LH/RH	Pedestal, Pendant, Rear, Sw.	Grommet, custom	29
	2505	DRIVE	H4	12/24V	ECE, RH/LH traffic	Pedestal, Pendant	Internal, custom	29
	ALPHA 225 PRO	AUX	H1	12/24V	BB, PB	Pedestal	Bare lead	30
	ALPHA 175	AUX	H3	12/24V	BB, PB	Pedestal, Pendant, Side	Bare lead	31
	BETA	AUX	H3	12/24V	BB, PB	Pedestal, Pendant	Bare lead	32



ValPar

PREMIUM PERFORMANCE. HEAVY DUTY VALUE.

Whether it's lubricants, lighting, batteries or starters, the ValPar family of premium quality products are proven and tested in the toughest conditions on earth to improve uptime and reduce operating costs for all makes and applications.

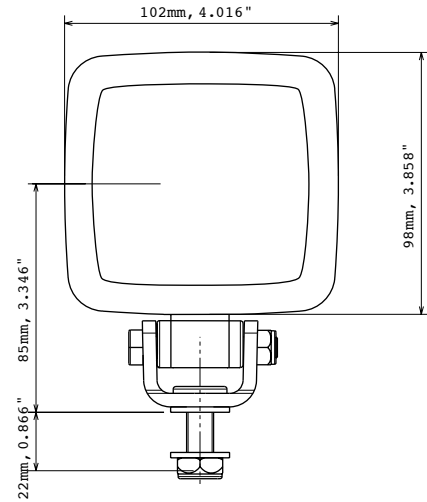
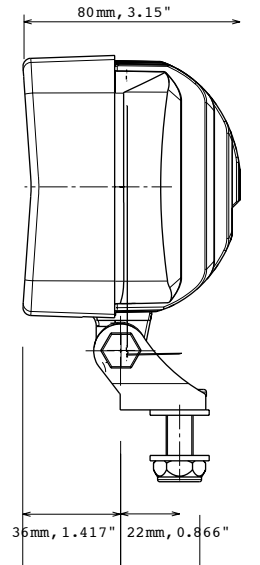
LED LIGHTS

- Zero Maintenance
- Quality Light Output
- Long Lasting

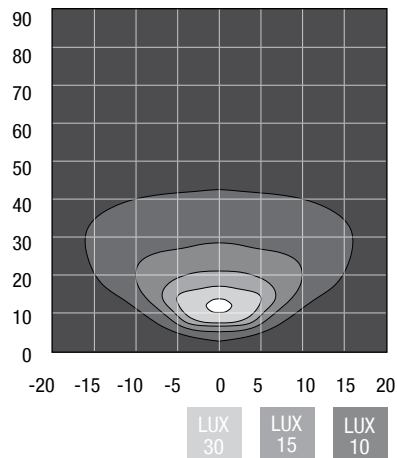
- Energy efficient
- Multi-voltage



500 LED 850 WORK



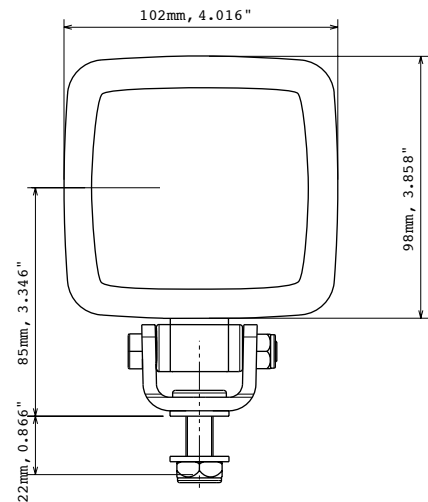
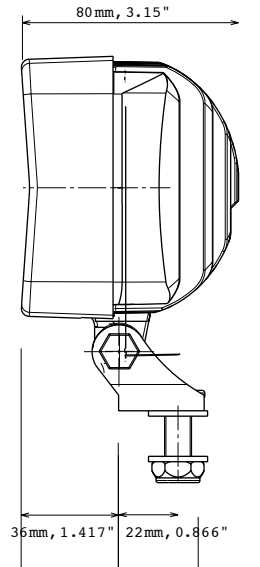
Flood VP100011



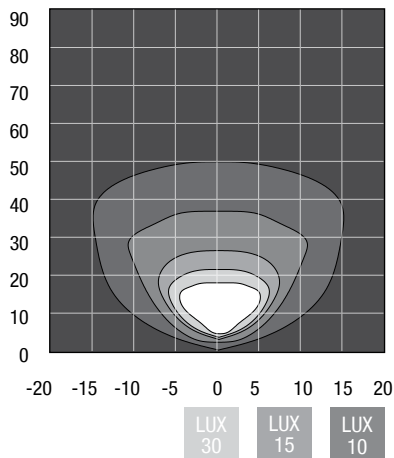
Operating Temp	-40°C to +85°C
Lifetime	20 000 hours
Water tightness	IP 68 – IP 69K
EMC	ISO 13 766 – Earthmoving Equipment, ISO 14 982 – Forestry Agriculture, ISO 12895 – Handling Equipment
Lens	Hardened glass Plastic (amber, red, blue, clear), Enameled Glass
Salt Spray	ISO 9227
Connection	Built in 2-way AMP and Built-in 2-way DT
Mounting Orientation	Pedestal and Suspended Double magnetic base
Weight	0.9 Kg

Warranty	20000 operation hours / 4 years
Lumens output	Flux 850 raw 1000
Light Pattern	Flood
Voltage	Multi 12-24V
Intensity	0.75 Amp @ 24V
Consumption	18W
Load dump	36V continuous/72V 100 ms/1800 V 50 √s
Polarity	Protected against reverse voltage
Electric Thermal Mngt	Full output @ 35°C ambient 20% dimmed @ + 50° ambient
Vibration Resistance	10 Grms, from 24Hz to 2000 Hz
Shock resistance	50 G
Option	24v limited voltage, clear/amber lens

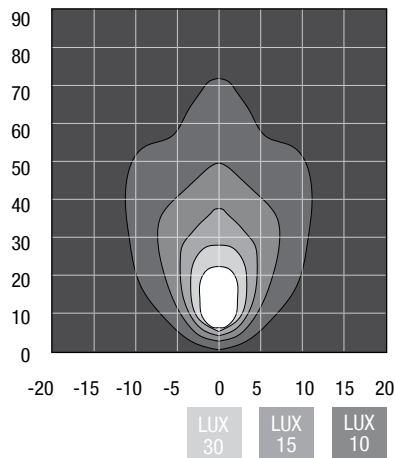
500 LED 1200 WORK



Flood VP101011



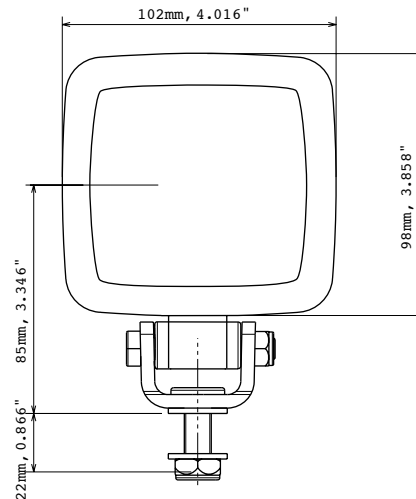
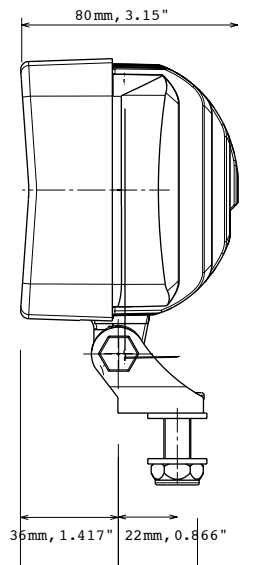
Long Range VP101012



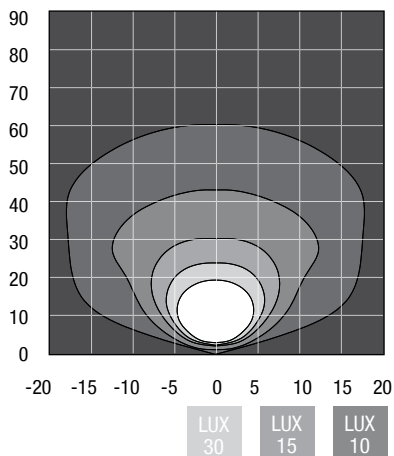
Operating Temp	-40°C to +85°C
Lifetime	20 000 hours
Water tightness	IP 68 - IP 69K
EMC	ISO 13 766 - Earthmoving Equipment ISO 14 982 - Forestry-Agricultural ISO 12895 - Handling Equipment
Lens	Hardened glass Plastic (amber, red, blue, clear), Enameled Glass
Salt Spray	ISO 9227
Connection	Built in 2-way AMP and Built-in 2-way DT
Mounting Orientation	Pedestal and Suspended Double magnetic base
Weight	0.9 Kg

Warranty	20 000 operating hours or 4 years
Lumens output	Flux 1200 Lumen, Raw 1400
Light pattern	Flood, Long Range
Voltage	Multi 12-100 V
Intensity	0,82 Amp @ 24V
Consumption	20W
Load Dump	130V continuous/200V 100 ms/1800 V 50 √s
Polarity	No polarity
Electronic Thermal Mngt	Full output @ +35°C ambient 20% dimmed @ +50°C ambient
Vibration resistance	15 Grms, from 24Hz to 2000Hz
Shock resistance	60 G
Option	24V limited voltage, clear/red/amber lens

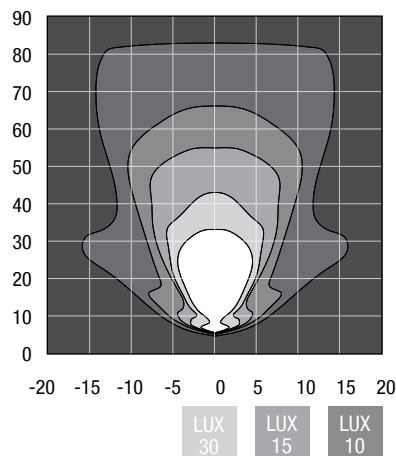
500 LED 2000 WORK



Flood VP102011



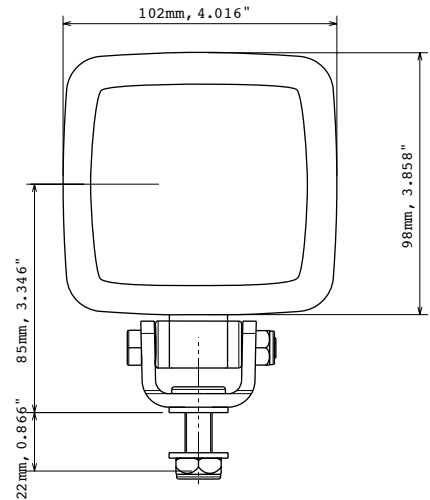
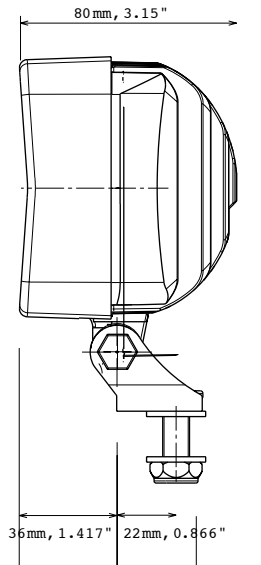
Long Range VP102012



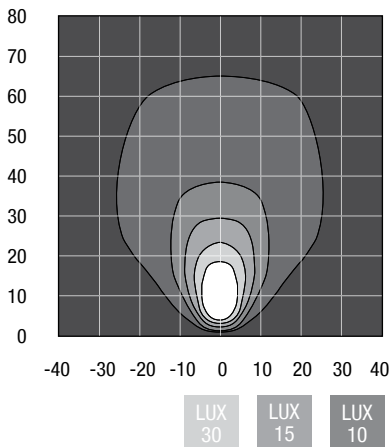
Operating Temp	-40°C to +85°C
Lifetime	20 000 hours
Water tightness	IP 68 - IP 69K
EMC	ISO 13 766 - Earthmoving Equipment ISO 14 982 - Forestry-Agricultural ISO 12895 - Handling Equipment
Lens	Hardened glass Plastic (amber, red, blue, clear), Enameled Glass
Salt Spray	ISO 9227
Connection	Built in 2-way AMP and Built-in 2-way DT
Mounting Orientation	Pedestal and Suspended Double magnetic base
Weight	0.9 Kg

Warranty	20 000 operating hours or 4 years
Lumens output	Flux 2000 Lumen, Raw 2500
Light pattern	Flood, Long Range
Voltage	Multi 12-100 V
Intensity	1,2 Amp @ 24V
Consumption	28W
Load Dump	130V continuous/200V 100 ms/1800 V 50 √s
Polarity	No polarity
Electronic Thermal Mngt	Full output @ +35°C ambient 20% dimmed @ +50°C ambient
Vibration resistance	15 Grms, from 24Hz to 2000Hz
Shock resistance	60 G
Option	24V limited voltage, clear/amber lens

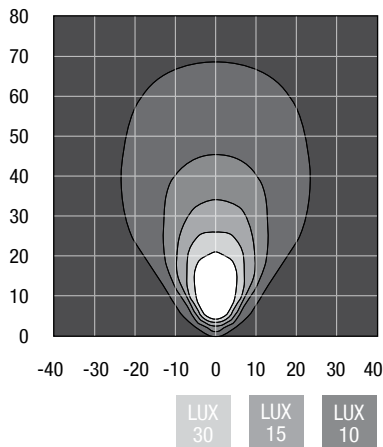
500 LED 3000 WORK



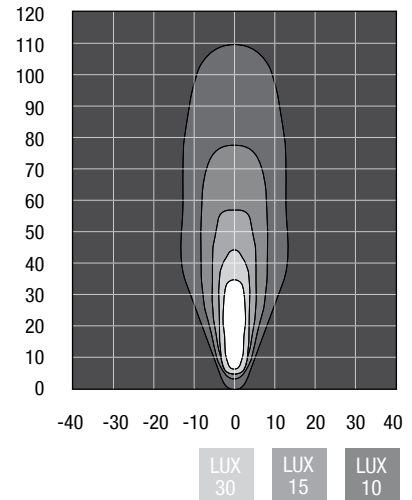
Wide Flood VP103013



Flood VP103011



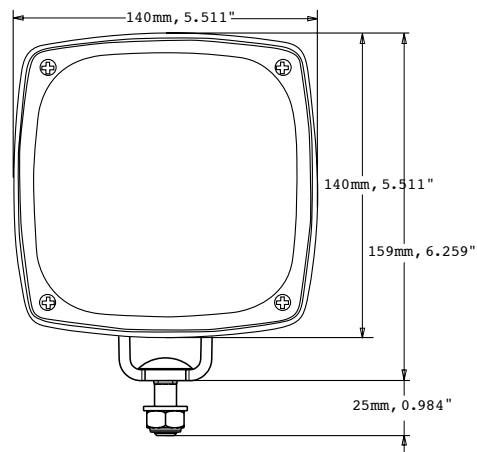
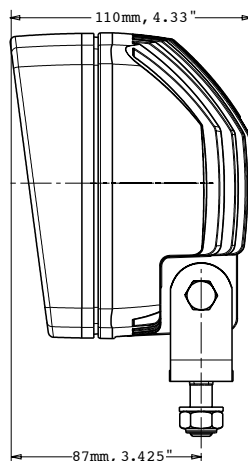
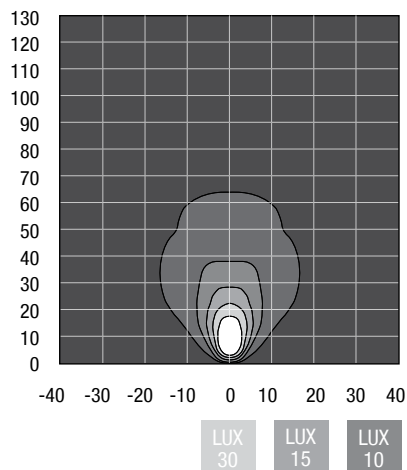
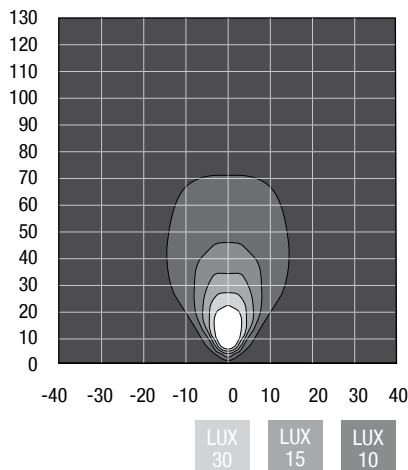
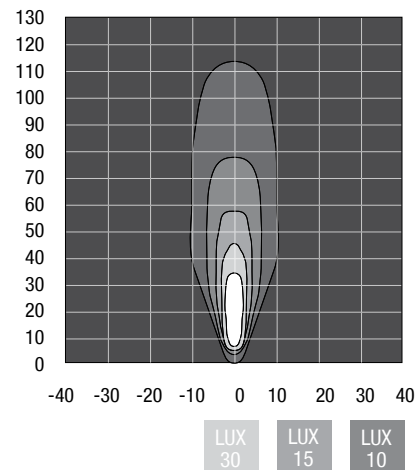
Long Range VP103012



Operating Temp	-40°C to +85°C
Lifetime	20 000 hours
Water tightness	IP 68 - IP 69K
EMC	ISO 13 766 - Earthmoving Equipment ISO 14 982 - Forestry-Agricultural
Lens	Hardened glass Plastic (amber, red, blue, clear), Enamelled Glass
Salt Spray	ISO 9227
Connection	Built in 2-way AMP and Built-in 2-way DT
Mounting Orientation	Pedestal and Suspended Double magnetic base
Weight	0.9 Kg

Warranty	20 000 operating hours or 4 years
Lumens output	Flux 3000 Lumen
Light pattern	Wide Flood, Flood, Long Range
Voltage	Multi 12-100 V
Intensity	1.5 Amp @ 24V
Consumption	36W
Load Dump	110V continuous/200V 100 ms/1800 V 50 √s
Polarity	Protected against reverse voltage
Electronic Thermal Mngt	Full output @ +35°C ambient 25% dimmed @ +50°C ambient
Vibration resistance	20 Grms, from 24Hz to 2000Hz
Shock resistance	60 G
Option	24V limited voltage, amber lens

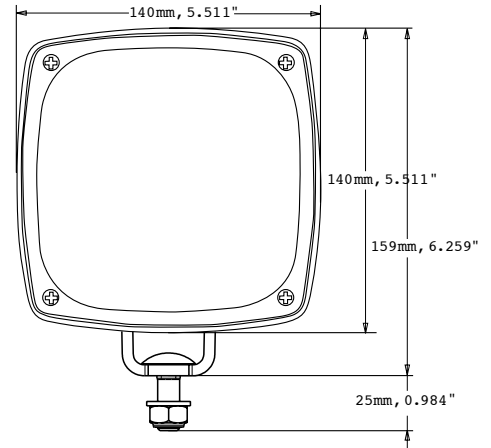
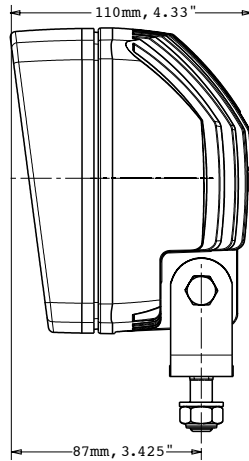
2500 LED 3000 WORK


Wide Flood VP104013

Flood VP104011

Long Range VP104012


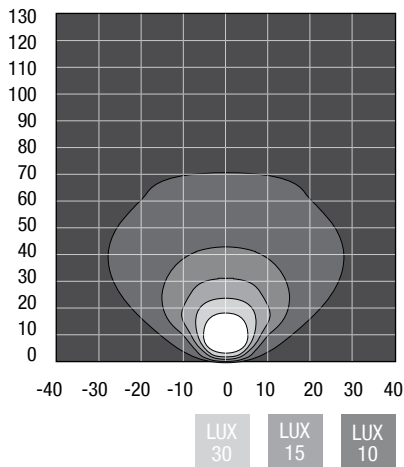
Operating Temp	-40°C to +85°C
Lifetime	20 000 hours
Water tightness	IP 68 - IP 69K
EMC	ISO 13 766 - Earthmoving Equipment ISO 14 982 - Forestry-Agricultural
Lens	Hardened glass Amber Plastic and Enameled Glass
Salt Spray	ISO 9227
Connection	Built in 2-way AMP and Built-in 2-way DT
Mounting Orientation	Pedestal and Suspended Double magnetic base
Weight	1.8 Kg
Warranty	20 000 operating hours or 4 years

Lumens output	Flux 3000 Lumen, Raw 4200
Light pattern	Wide Flood, Flood, Long Range
Voltage	Multi 12-100 V
Intensity	1,6 Amp @ 24V
Consumption	40W
Load Dump	10V continuous/200V 100 ms/1800 V 50 √s
Polarity	Protected against reverse voltage
Electronic Thermal Mngt	Full output @ +35°C ambient 25% dimmed @ +50°C ambient
Vibration resistance	20 Grms, from 24Hz to 2000Hz
Shock resistance	80 G
Option	24V limited voltage, amber lens

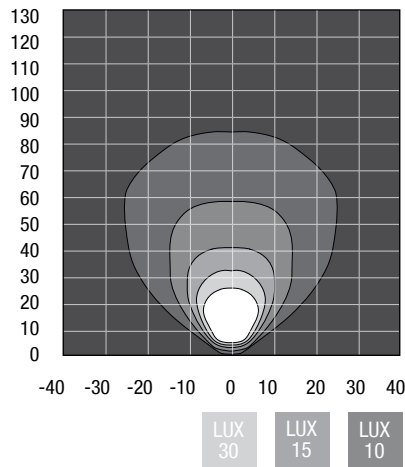
2500 LED 5000 WORK



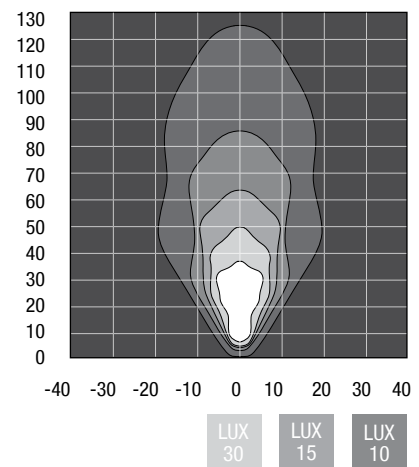
Wide Flood VP105013



Flood VP105011



Long Range VP105012

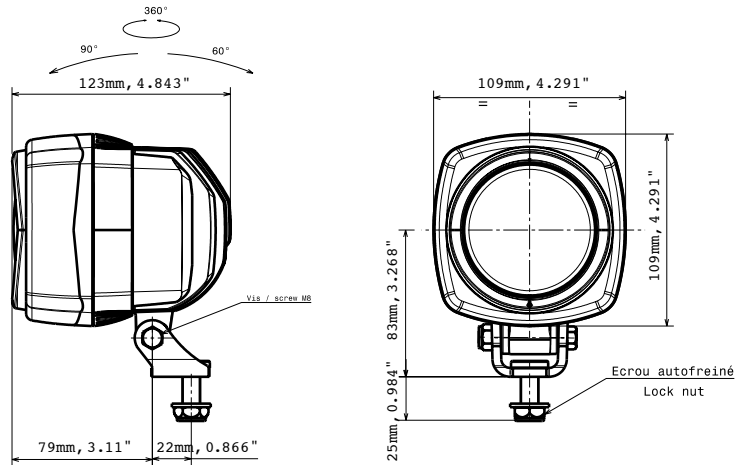


Operating Temp	-40°C to +85°C
Lifetime	20 000 hours
Water tightness	IP 68 - IP 69K
EMC	ISO 13 766 - Earthmoving Equipment ISO 14 982 - Forestry-Agricultural
Lens	Hardened glass Amber Plastic and Enameled Glass
Salt Spray	ISO 9227
Connection	Built in 2-way AMP and Built-in 2-way DT
Mounting Orientation	Pedestal and Suspended Double magnetic base
Weight	1.8 Kg
Warranty	20 000 operating hours or 4 years

Lumens output	Flux 5000 Lumen, Raw 6500
Light pattern	Wide Flood, Flood, Long Range
Voltage	Multi 12-100 V
Intensity	2,15 Amp @ 24V
Consumption	57W
Load Dump	110V continuous/200V 100 ms/1800 V 50 √s
Polarity	Protected against reverse voltage
Electronic Thermal Mngt	Full output @ +35°C ambient 25% dimmed @ +50°C ambient
Vibration resistance	20 Grms, from 24Hz to 2000Hz
Shock resistance	80 G
Option	24V limited voltage, amber lens

500 LED BLUE

SAFETY



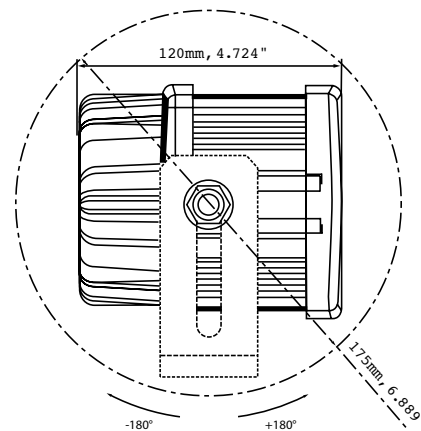
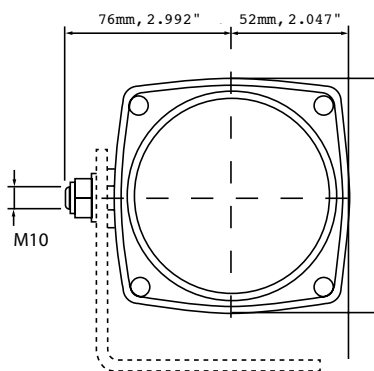
VP106014

ValPar LED work lights are designed to exceed everyday demands in all applications. This Blue LED work light ensures a visible sharp-edged warning signal on the floor for increased safety.

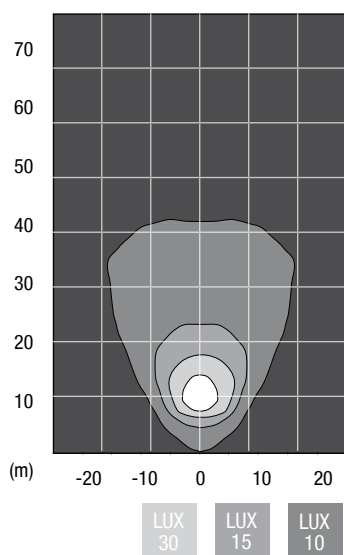
Operating Temp	-40°C to +85°C
Lifetime	20 000 hours
Water tightness	IP 68 – IP 69K
EMC	ISO 12895 – Handling Equipment
Lens	PC Lens
Salt Spray	ISO 9227
Weight	1.0 Kg
Warranty	20 000 operation hours / 4 years
Light Pattern	Sharp-edge Spot

Voltage	Multi 12-100V
Intensity	0.2 Amp @ 24V
Consumption	5W
Load dump	1300V continuous 200V 100ms 1800 V 50 ms
Polarity	No polarity
Vibration Resistance	10 Grms, from 24Hz to 2000 Hz

MY LED 2700 WORK



Flood VP107011



Operating Temp	-40°C to +60°C
Lifetime	20000 hours
Water Tightness	IP68 – IP69K
Lens	Hardened glass
Salt Spray	ISO 9227
Lumens Output	2700 Lumen

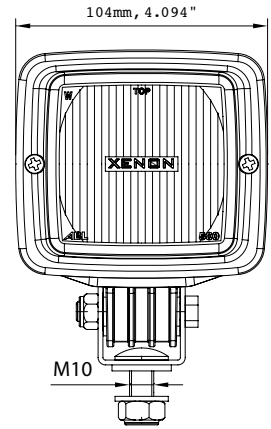
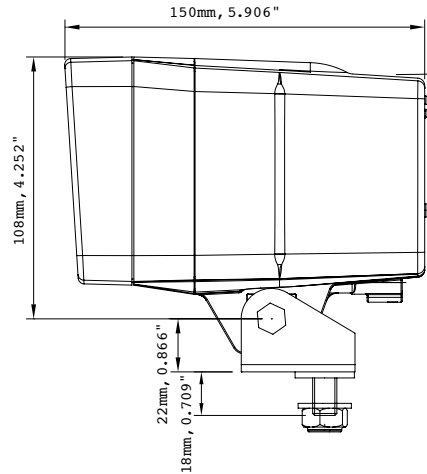
Light Pattern	Flood
Voltage	Multi 12-24V
Intensity	1,5 Amp @ 24V
Consumption	36W
Polarity	Protected against reverse voltage

HID / XENON LIGHTS

- Lasts 5x Longer than Halogen
- 10x Brighter than Halogen
- Less Amp Draw than Halogen
- More Vibration Resistance



HID 500 WORK



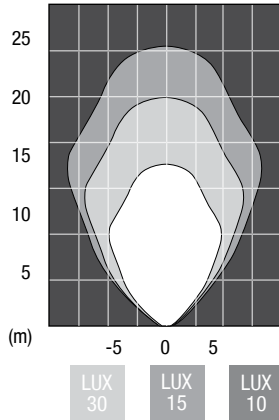
Long Range

VP200112 (12v)



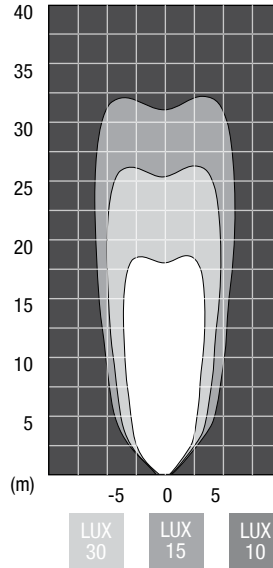
Flood

VP200111 (12v)



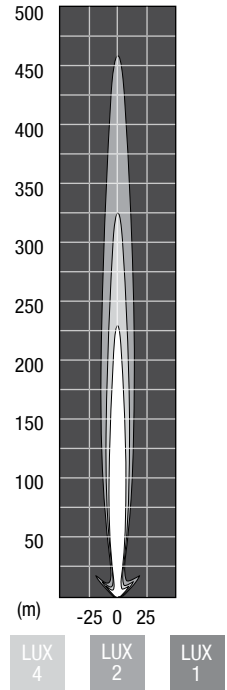
Trapezoidal

VP200116 (12v)



Spot Beam

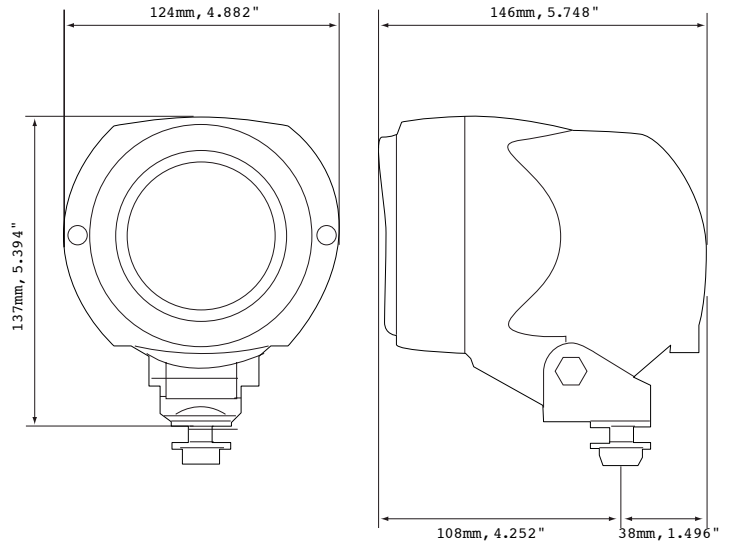
VP200114 (12v)



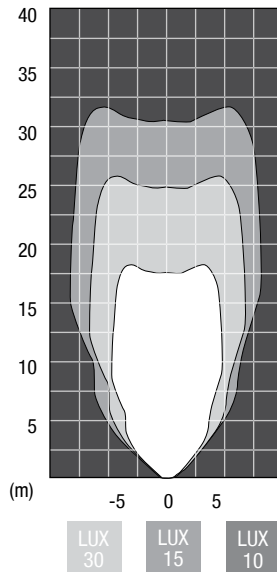
Bulb	35W D1S, Gen 5 integrated ballast
Light patterns	Long range, flood, trapezoidal and spot beam
Mounting	Pedestal, pendant
Connection	Bare lead wire harness, integrated 2-pin DT connector, built-in AMP 6.35mm
Salt Spray	ISO 9227
Intensity	1.8 Amp @ 24V

Operating Temp	-40°C to +85°C
EMC	ISO 13 766 ISO 14 982
Lens	Hardened glass, bonded
Housing	Black fibre reinforced plastic
IP Rating	IP66 - IP 69K
Vibration	15 Grms from 24 to 2000Hz
Option	Double Magnetic base, protective guard Stainless Steel Hardware On/off Switch

HID 700 **WORK**



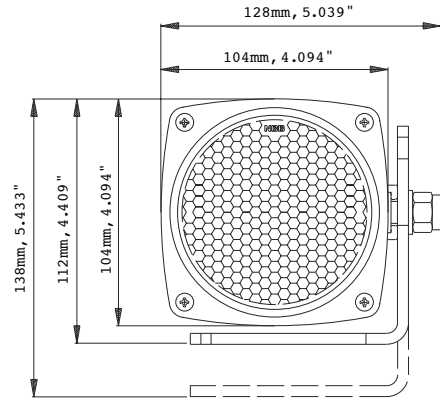
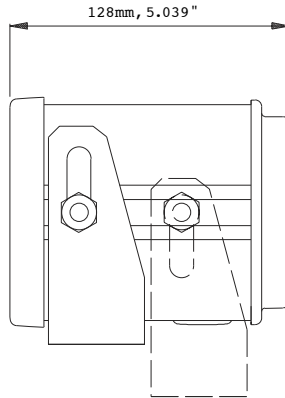
Flood VP201111 (12v)



Bulb	35W D1S, Gen 5 integrated ballast
Voltage	12, 24 Volt
Light patterns	Flood
Mounting	Pedestal, pendant
Fixation	M10, M12
Connection	Bare lead wire harness, integrated 2-pin DT connector
Salt Spray	ISO 9227
Intensity	1.8 Amp @ 24Vdc

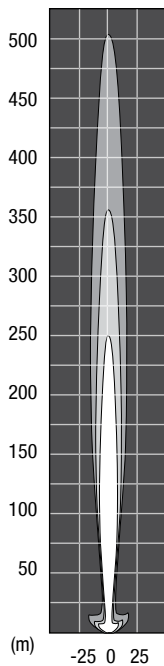
Operating Temp	-40°C to +85°C
EMC	ISO 13 766 ISO 14 982
Lens	Hardened clear glass
Reflector	Free form
Housing	Reinforced fibre glass charged plastic
IP Rating	IP 66 to IP 69K
Vibration	15 Grms from 24 to 2000Hz

MY HID 7700 WORK

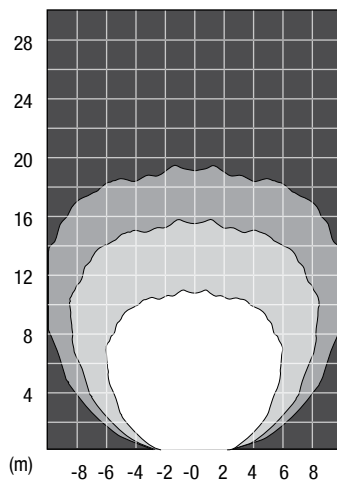


Broad Beam

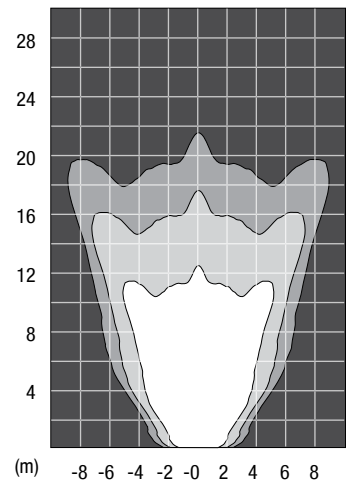
VP202125 (12v)



Wide Flood VP202123 (12v)



Flood VP202121 (12v)

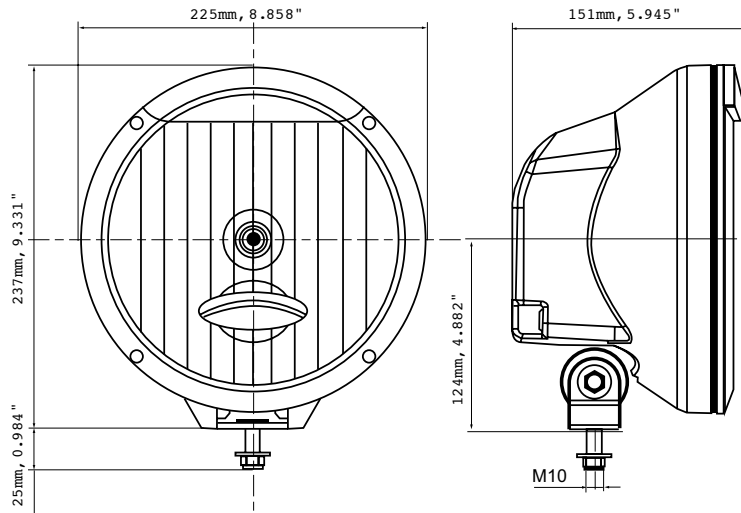


Bulb	35W D1S, Gen 5 integrated ballast
Light patterns	Broad beam, wide, medium and fog
Mounting	Pedestal, pendant, side mount
Lens	Hardened glass
Salt Spray	ISO 9227
Intensity	1.8 Amp @ 24V

Operating Temp	-40°C to +65°C
Voltage	12V, 24V
Housing	Aluminum alloy
IP Rating	IP 65
Option	45W

ALPHA 225 PRO AUX

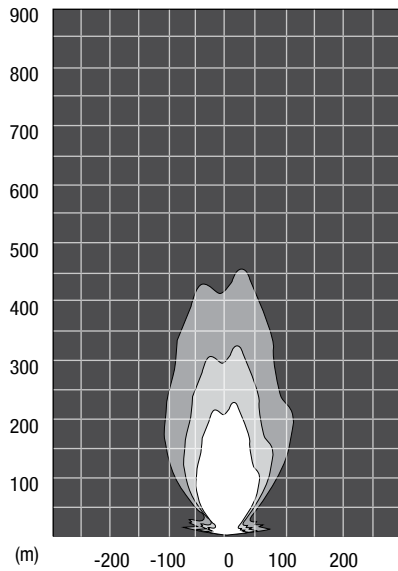
ALSO AVAILABLE IN:
HALOGEN
SEE PAGE 30



ALSO AVAILABLE WITH:
CHROME BEZEL



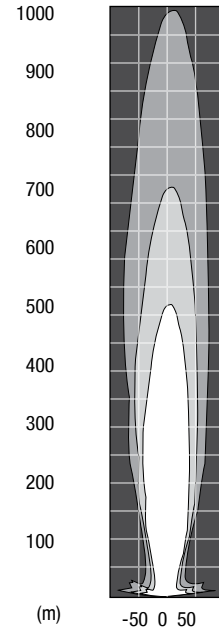
Broad Beam VP203125 (12v)



LUX 4 LUX 2 LUX 1

Pencil Beam

VP203127 (12v)



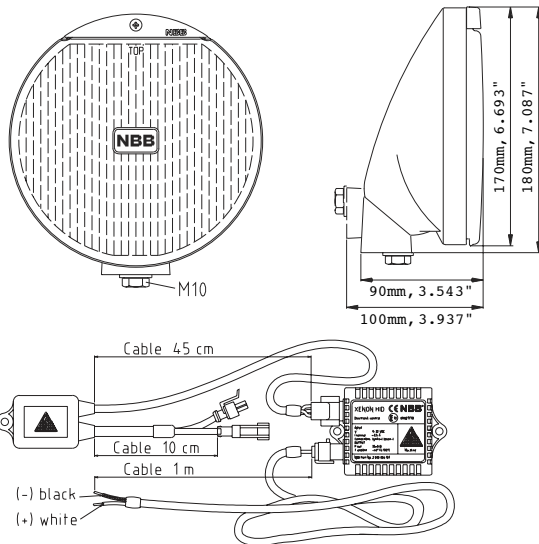
LUX 4 LUX 2 LUX 1

Bulb	35W DIS, Gen 5 integrated ballast
Light Pattern	ECE Pilot Light LED, ECE Broad 45, Off Road Pencil
Consumption	43W
Voltage	12V, 24V
Intensity	1,8 Amp @ 24 Vdc

Operating Temp	-40°C to +60°C
Salt Spray	ISO 9227
Housing	aluminum
Lens	hardened glass
Reflector	aluminum

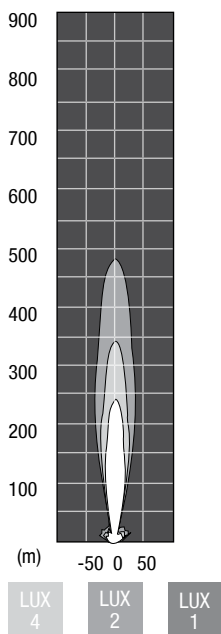
ALPHA 175 AUX

ALSO AVAILABLE IN:
HALOGEN
SEE PAGE 31



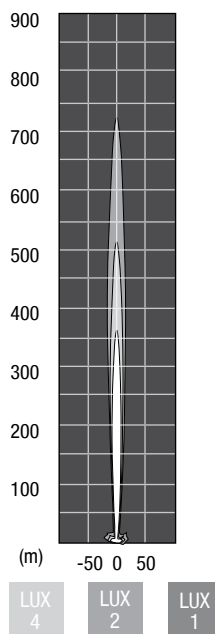
Broad Beam

VP204025



Pencil Beam

VP204027

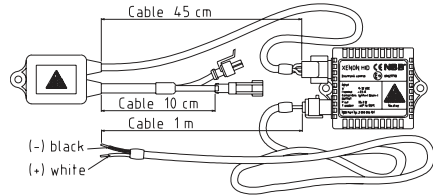
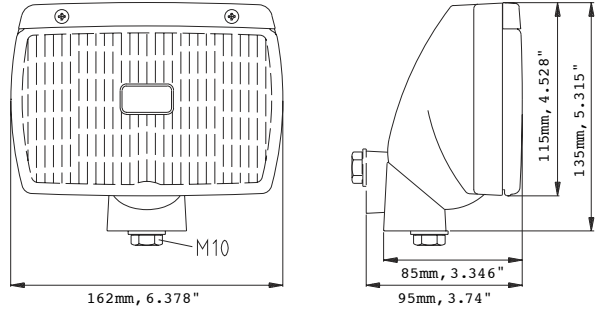


Bulb	35W Xenon H3, external ballast
Light Pattern	Off Road Broad, Off Road Pencil
Consumption	43W
Voltage	multi voltage 9-32V
Intensity	1,8 Amp @ 24 Vdc

Operating Temp	-40°C to +60°C
Salt Spray	ISO 9227
Housing	black fibre reinforced plastic
Lens	hardened glass
Reflector	steel

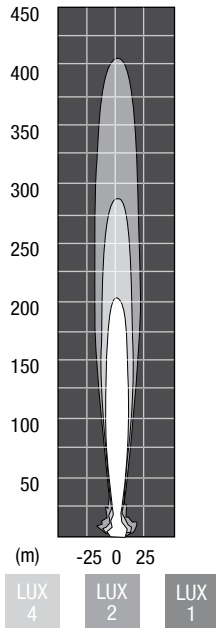


ALSO AVAILABLE IN:
HALOGEN
SEE PAGE 32



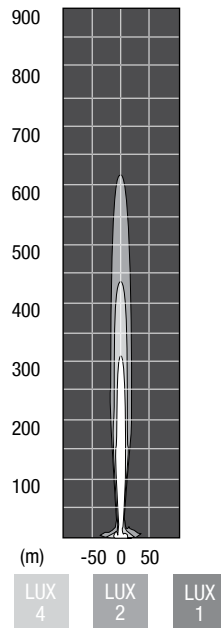
Broad Beam

VP205025



Pencil Beam

VP205027



Bulb	35W Xenon H3, external ballast
Light Pattern	Off Road Broad, Off Road Pencil
Consumption	43W
Voltage	multi voltage 9-32V
Intensity	1,8 Amp @ 24 Vdc

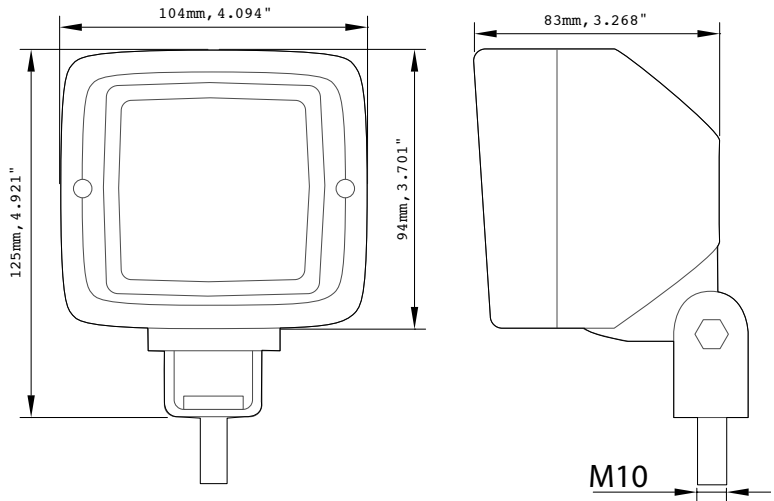
Operating Temp	-40°C to +60°C
Salt Spray	ISO 9227
Housing	black fibre reinforced plastic
Lens	hardened glass
Reflector	steel

HALOGEN LIGHTS

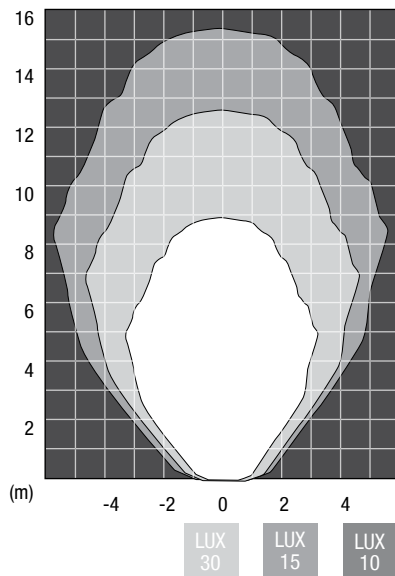
- Cost Efficient
- Easy to Maintain
- Low Maintenance Cost



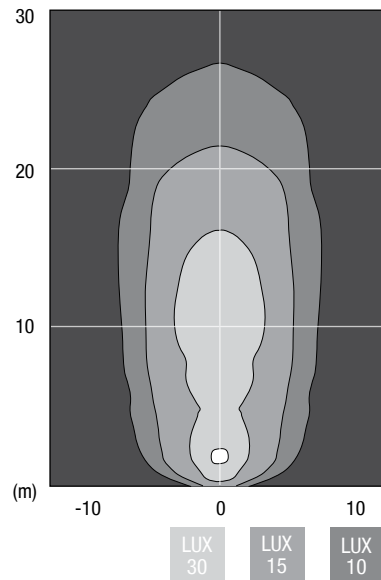
500 SERIES WORK



Flood VP300111 (12v)



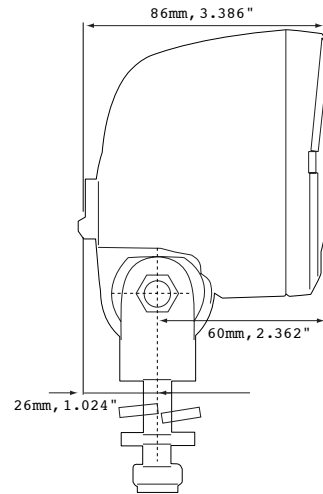
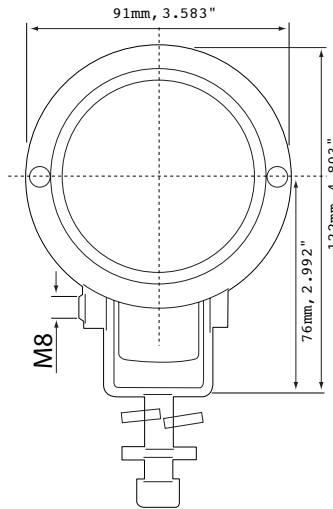
Long Range VP300112 (12v)



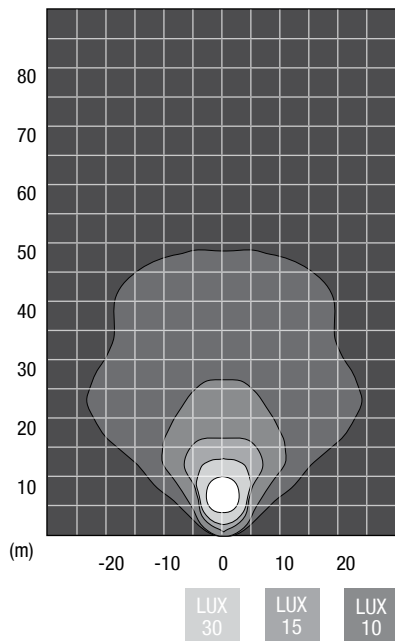
Bulb	Halogen H3, 35/55/70 W
Voltage	12/24 Volt
Light patterns	High beam off road and Low beam off road
Mounting	Pedestal, pendant, right/left, stainless steel and anti-vibration bracket available
Fixation	M8, M10 with stability insert or weld bracket
Connection	Bare lead wire harness, integrated 2-pin
harness	DT connector, built-in AMP 6.35mm, compression seal, custom wire available
Salt Spray	ISO 9227

Intensity	2.92 Amp @ 24V (24V, 70W bulb)
Operating Temp	-40°C to +85°C
EMC	ISO 13 766; ISO 14 982
Lens	Hardened glass or plastic
Reflector	Free form
Housing	Black or white fibre glass charged plastic
IP Rating	IP 54 for Grommet IP 65 for Specific cable IP66-69K for built-in connectors and compression seals
Vibration	10 Grms from 24 to 2000Hz
Option	Magnetic base, Amber, Red, Blue and Clear Plastic, ECE homologated reverse light and Antivibration

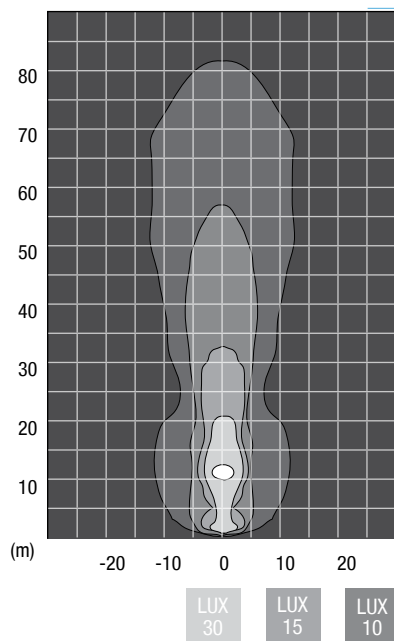
700 SERIES WORK



Flood VP301111 (12v)



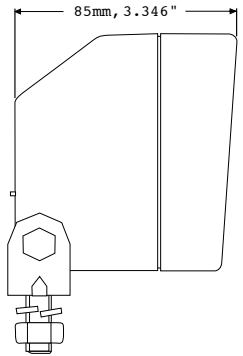
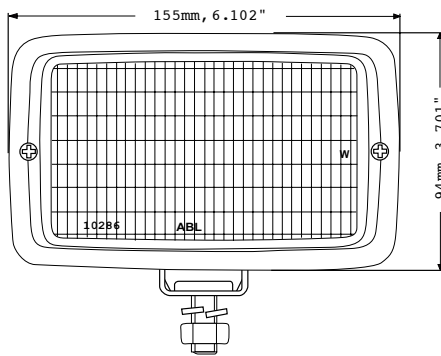
Long Range VP301112 (12v)



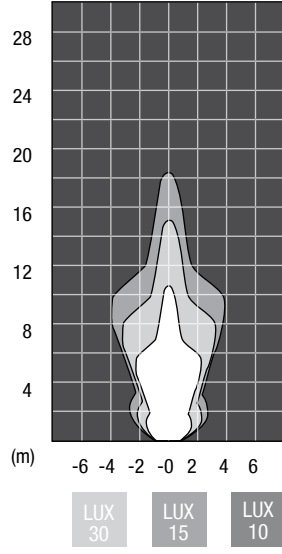
Bulb	Halogen H3, 35/55/70 W
Voltage	12/24 Volt
Light patterns	Flood, long range
Mounting	Pedestal, pendant, side mount 2 axis, horizontal/vertical adjustment
Fixation	M8, M10
Connection	Grommet, compression seal, integrated 2-pin DT connector
Salt Spray	ISO 9227
Intensity	2.92 Amp @ 24V (24V, 70W bulb)

Operating Temp	-40°C to +85°C
EMC	ISO 13 766; ISO 14 982
Lens	Hardened clear glass
Reflector	Free form
Housing	Reinforced fibre glass charged plastic
IP Rating	IP 54 for Grommet IP 65 for Specific Cable IP 66-69K for built in connectors and compression seals
Vibration	10 Grms from 24 to 2000Hz

1100 SERIES WORK



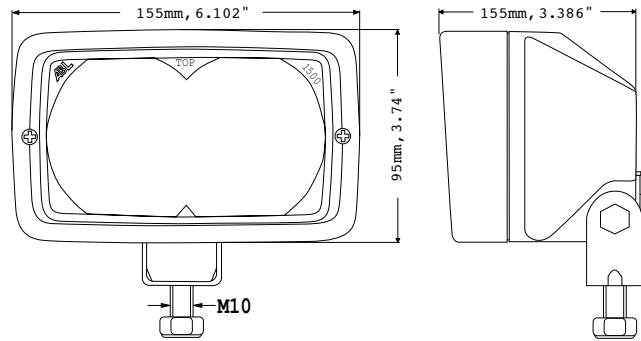
Flood VP302121 (12v)



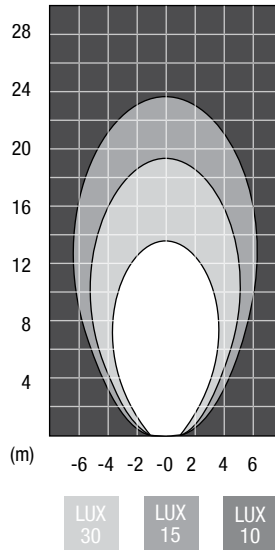
Bulb	Halogen H3, 35/55/70 W
Voltage	12/24 Volt
Light patterns	Flood
Mounting plane swivel	Pedestal, pendant, side mount, 2
Connection	Spade terminals, bare lead wire harness Custom wire harness available
Salt Spray	ISO 9227
Intensity	2.92 Amp @ 24V (24V, 70W bulb)
Operating Temp	-40°C to +85°C

Vibration Resistance	10 Grms from 24 to 2000Hz
EMC	ISO 13 766; ISO 14 982
Lens	Hardened glass Plastic (plastic lens 35 W bulb only)
Reflector	Steel
Housing	PA6 black housing
IP Rating	IP 54 for Grommet IP 65 for Specific cable IP66-69K for built-in connectors and compression seals
Option	Flush mount

1500 SERIES WORK



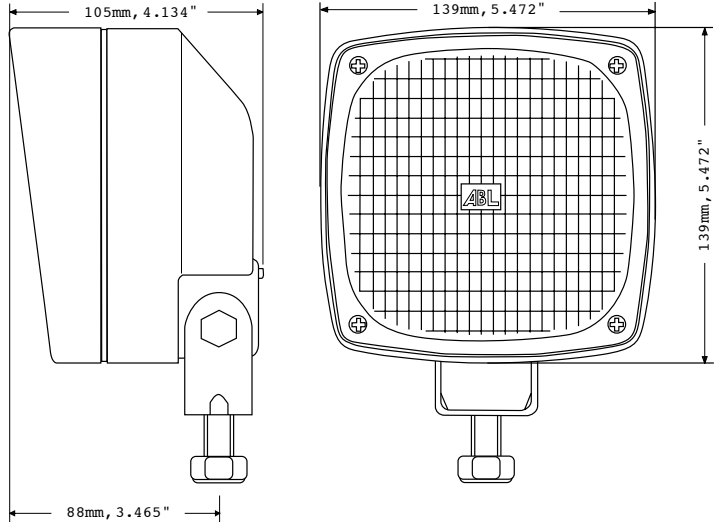
Flood VP303121 (12v)



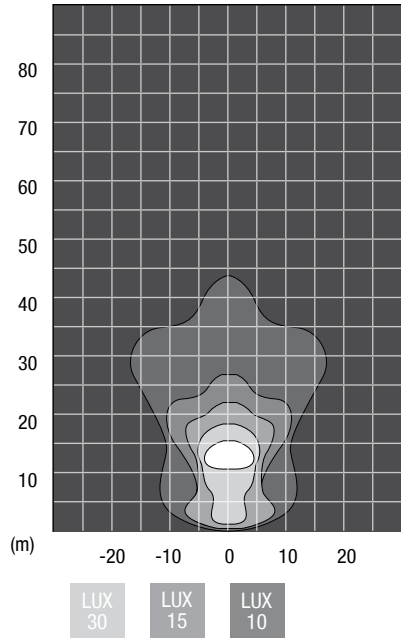
Bulb	Halogen H3, 2x 35/55/70 W
Voltage	12/24 Volt
Light patterns	Flood
Mounting	Pedestal, pendant, 2-plane swivel, right/left side-mount
Connection	Bare leads standard, or custom wire harness available
Salt Spray	ISO 9227
Intensity	2.92 Amp @ 24V (24V, 70W bulb)
Operating Temp	-40°C to +85°C

Vibration Resistance	10 Grms from 24 to 2000Hz
EMC	ISO 13 766; ISO 14 982
Lens	Hardened glass
Reflector	Free form, die cast aluminum
Housing	Fibre glass reinforced plastic
IP Rating	IP 54 for Grommet IP 65 for Specific cable IP66-69K for built-in connectors and compression seals
Option	Flush mount, Long Range Light Pattern

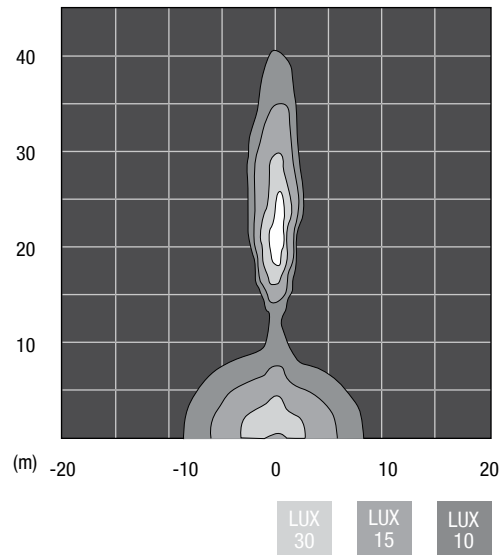
2500 SERIES WORK



Flood VP304121 (12v)



Spot Light VP304124 (12v)



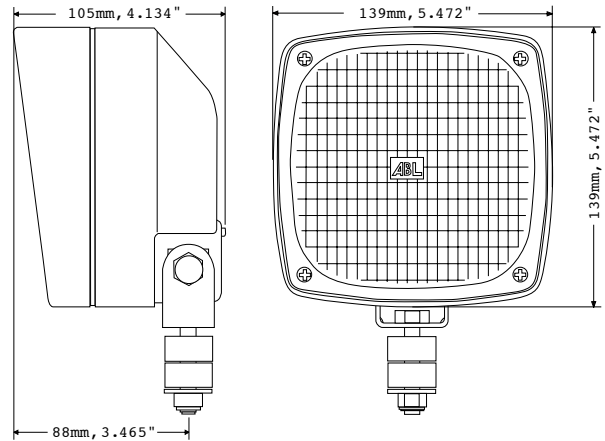
Bulb	Halogen H3, 35/55/70 W
Voltage	12/24 Volt
Light patterns	Flood, spot
Mounting	Pedestal, pendant, side mount
Fixation	M8, M10
Connection	Bare lead wire harness, Spade Connector
Salt Spray	ISO 9227
Intensity	2.92 Amp @ 24V (24V, 70W bulb)
Operating Temp	-40°C to +85°C

Vibration Resistance	10 Grms from 24 to 2000Hz
EMC	ISO 13 766; ISO 14 982
Lens	Hardened glass
Reflector	Steel
Housing	Black fibre glass, reinforced plastic
IP Rating	IP54 grommet
Vibration	IP 54 for Grommet IP 65 for Specific cable, built-in connectors and compression seals
Option	Heavy duty shock mount

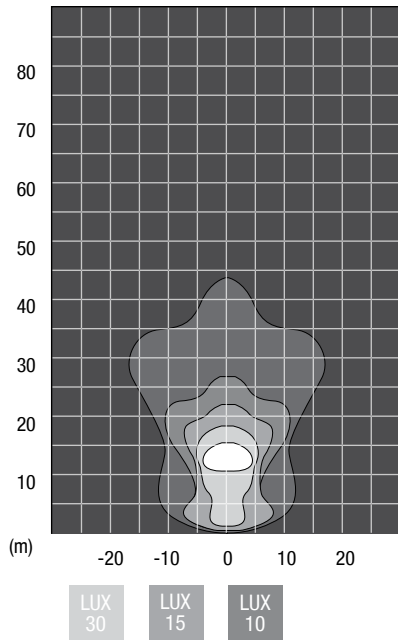
2560 WORK



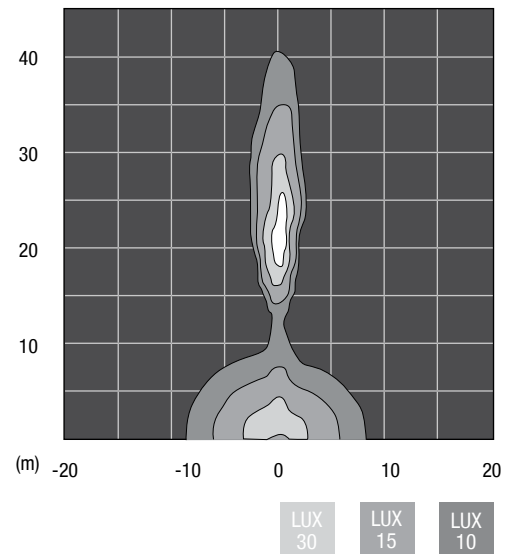
The **Halogen 2560** work light is a heavy duty, shock mount version of the 2500 Series. The optical unit is isolated from extreme shock and vibration utilizing a rubber insert.



Flood VP305121 (12v)



Spot Light VP305124 (12v)



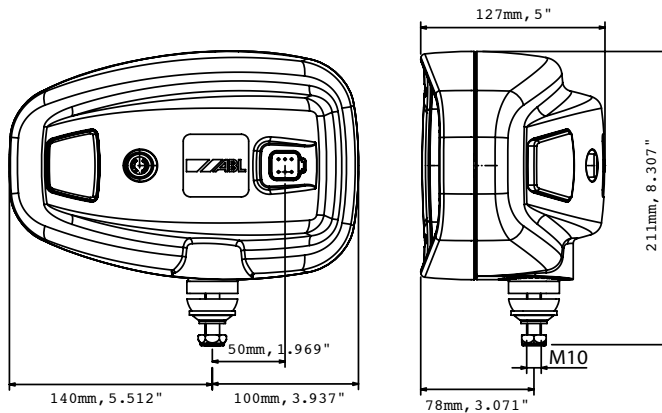
Bulb	Halogen H3, 35/55/70 W
Voltage	12/24 Volt
Light patterns	Flood, spot
Mounting	Pedestal, pendant, side mount
Fixation	M8, M10
Connection	Bare lead wire harness, built-in AMP 6.35 mm 2 ways
Salt Spray	ISO 9227
Intensity	2.92 Amp @ 24V (24V, 70W bulb)
Operating Temp	-40°C to +85°C

Vibration Resistance	10 Grms from 24 to 2000Hz
EMC	ISO 13 766; ISO 14 982
Lens	Hardened glass
Reflector	Steel
Housing	Black fibre glass, reinforced plastic
IP Rating	IP54 grommet
Vibration	IP 54 for Grommet IP 65 for Specific cable, built-in connectors and compression seals
Option	Heavy duty shock mount

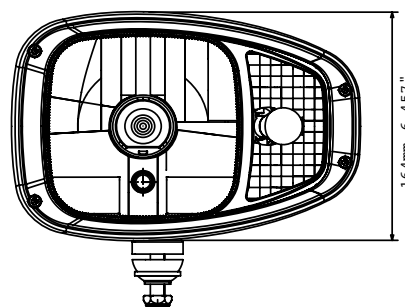
3800 DRIVE



VP306118 (12v SAE)



The new **ValPar 3800** combination drive light is a family of SAE/ECE approved for on-road and off-road vehicles. The clear glass lens and free form reflector provide ideal road illumination in an innovative but rugged and durable design. Along with numerous mounting options, this light incorporates a moisture-eliminating breather, parking light, and an optional side repeater. This allows the light to be customized for use on any vehicle globally.

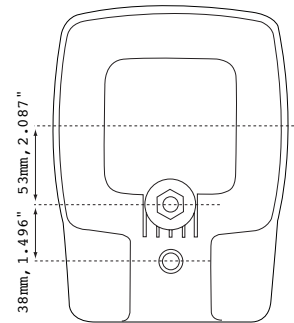
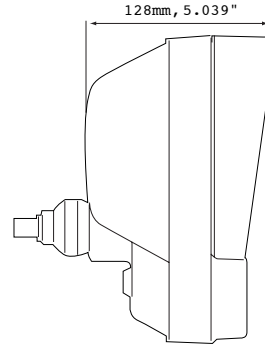
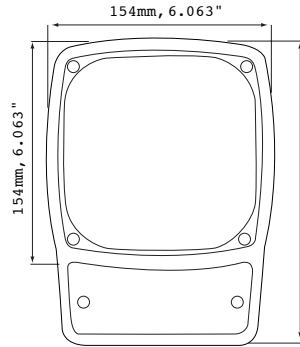


Bulb	Halogen H4, 55/60 W, PY21, W5W Halogen H4, 75/70 W, PY21, W5W
Voltage	12/24 Volt
Mounting	Pedestal, pendant, side mount
Connection	Integrated 6-pin DT, compression seal with wire harness
Light pattern	ECE R112 high / Low Beam ECE R6 Turn Signal and repeater ECE R7 Pilot light SAE FMVSS108 ANSI/SAE S279.14

Salt Spray	ISO 9227
Intensity	2.92 Amp @ 24V (low beam)
Operating Temp	-40°C to +85°C
Lens	Hardened clear glass
Reflector	Free form
Housing	Fibre glass reinforced plastic
IP Rating	IP 66 - IP69K
Option	Side marker

3005

DRIVE



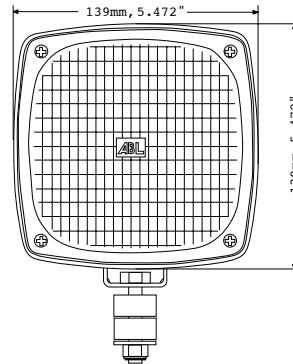
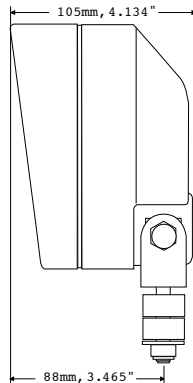
VP307119 (12v)

Bulb	Halogen H4, 60/55 W and 75/70 W, P21W, T8
Voltage	12/24 Volt
Mounting	Pedestal, pendant, side, rear, swivel base
Connection	Grommet, custom wire harness
Lens	Glass

Light pattern	ECE R112 high / Low Beam ECE R6 Turn Signal ECE R7 Pilot light ECE R6 optional repeater
Reflector	Steel
Housing	PA6 plastic
Homologation	ECE, right hand traffic ECE, left hand traffic
Option	Side marker

2505

DRIVE



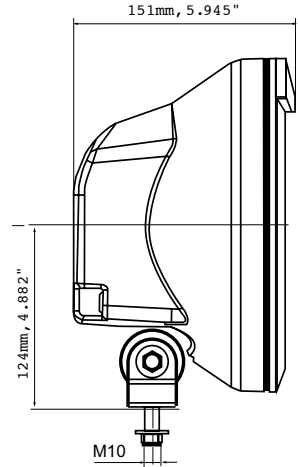
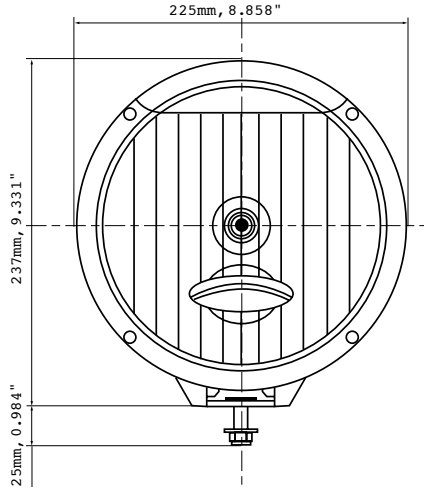
VP308129 (12v)

Bulb	H4, 60/55W and 75/70W T8
Voltage	12/24 Volt
Mounting	Pedestal, pendant
Connection	Internal by 6,35 mm blades, custom wire harness
Light Pattern	ECE High / Low Beam ECE R7 Pilot light
Salt Spray	ISO 9227

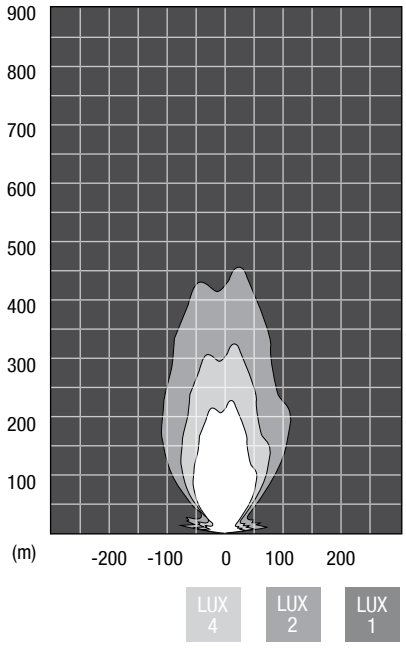
Intensity	2.92 Amp @ 24V (low beam)
Operating Temp	-40°C to +85°C
Lens	Glass
Reflector	Highly advanced parabolic reflector
Housing	Plastic PA6
Homologation	ECE, right hand traffic ECE, left hand traffic

ALPHA 225 PRO AUX

ALSO AVAILABLE IN:
HID/XENON
SEE PAGE 18

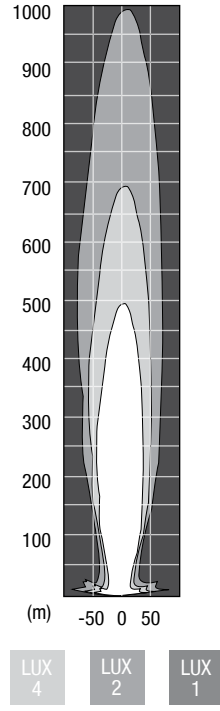


Broad Beam VP309125 (12v)



Pencil Beam

VP309127 (12v)

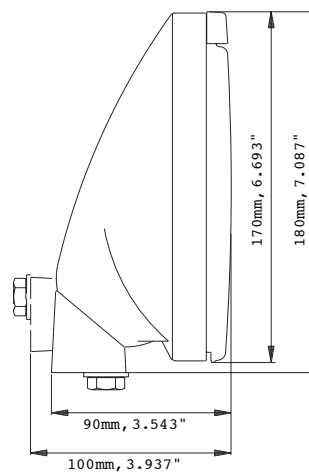
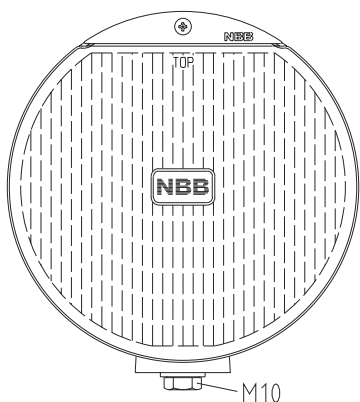


Bulb	H1 bulb
Light Pattern	ECE Pilot Light LED; ECE Broad 37,5; Off Road Pencil
Consumption	70W max
Voltage	12V, 24V
Intensity	2,92 Amp @ 24V (for 24V 70W bulb)

Operating Temp	-40°C to +60°C
Salt Spray	ISO 9227
Housing	aluminum
Lens	hardened glass
Reflector	aluminum

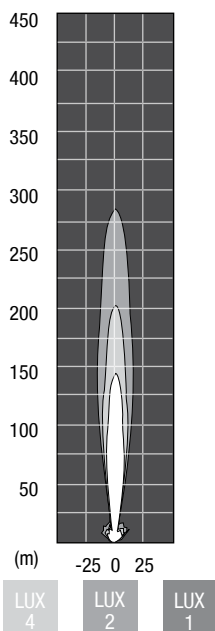
ALPHA 175 AUX

ALSO AVAILABLE IN:
HID/XENON
SEE PAGE 19



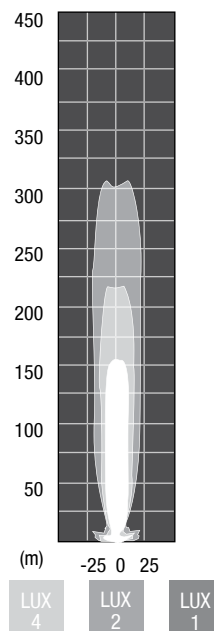
Broad Beam

VP310125 (12v)



Pencil Beam

VP310127 (12v)

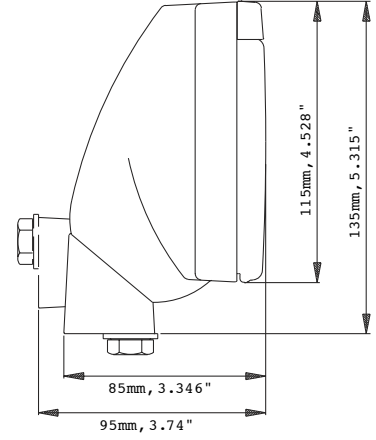
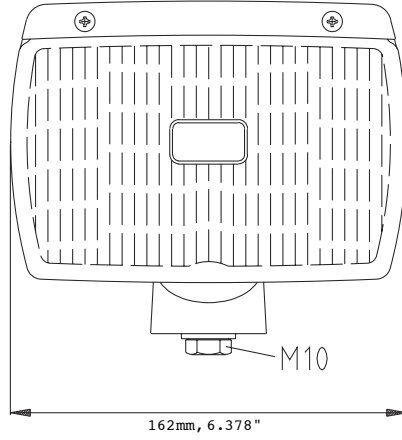


Bulb	H1 bulb
Light Pattern	Off Road Broad, Off Road Pencil
Consumption	70W max
Voltage	12V, 24V
Intensity	2,92 Amp @ 24 V (for 24V 70W bulb)

Operating Temp	-40°C to +60°C
Salt Spray	ISO 9227
Housing	black fibre reinforced plastic
Lens	hardened glass
Reflector	steel

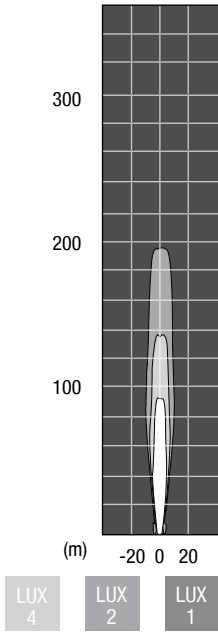


ALSO AVAILABLE IN:
HID/XENON
SEE PAGE 20



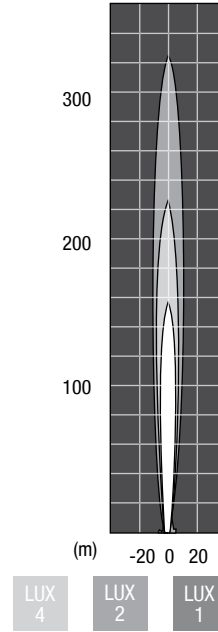
Broad Beam

VP311125 (12v)



Pencil Beam

VP311127 (12v)



Bulb	H1 bulb
Light Pattern	Off Road Broad, Off Road Pencil
Consumption	70W max
Voltage	12V, 24V
Intensity	2,92 Amp @ 24 V (for 24V 70W bulb)

Operating Temp	-40°C to +60°C
Salt Spray	ISO 9227
Housing	black fibre reinforced plastic
Lens	hardened glass
Reflector	steel

APPENDIX

Light Patterns:

F = Flood **T** = Trapezoidal
LR = Long Range **BB** = Broad Beam
WF = Wide Flood **PB** = Pencil Beam
S = Spot Beam **D** = Drive Light

LED LIGHTING

Product	Bulbs	Voltage / Ballast	Light Pattern*	Mounting	Connection	Part Number	Page
500 LED 850	4 LED	12-24 V	F	Pedestal, Pendant	Int DT	VP100011	6
500 LED 1200	5 LED	12-100 V	F	Pedestal, Pendant	Int DT	VP101011	7
500 LED 1200	5 LED	12-100 V	LR	Pedestal, Pendant	Int DT	VP101012	7
500 LED 2000	6 LED	12-100 V	F	Pedestal, Pendant	Int DT	VP102011	8
500 LED 2000	6 LED	12-100 V	LR	Pedestal, Pendant	Int DT	VP102012	8
500 LED 3000	6 LED	12-100 V	F	Pedestal, Pendant	Int DT	VP103011	9
500 LED 3000	6 LED	12-100 V	LR	Pedestal, Pendant	Int DT	VP103012	9
500 LED 3000	6 LED	12-100 V	WF	Pedestal, Pendant	Int DT	VP103013	9
2500 LED 3000	7 LED	12-100 V	F	Pedestal, Pendant	Int DT	VP104011	10
2500 LED 3000	7 LED	12-100 V	LR	Pedestal, Pendant	Int DT	VP104012	10
2500 LED 3000	7 LED	12-100 V	WF	Pedestal, Pendant	Int DT	VP104013	10
2500 LED 5000	10 LED	12-100 V	F	Pedestal, Pendant	Int DT	VP105011	11
2500 LED 5000	10 LED	12-100 V	LR	Pedestal, Pendant	Int DT	VP105012	11
2500 LED 5000	10 LED	12-100 V	WF	Pedestal, Pendant	Int DT	VP105013	11
500 LED Blue	1 LED	12-100 V	S	Pedestal, Pendant, Side	Int DT	VP106014	12
MY LED 2700	6 LED	12-24 V	F	Pedestal, Pendant, Side	Bare lead	VP107011	13

HID/XENON LIGHTING

Product	Bulbs	Voltage / Ballast	Light Pattern*	Mounting	Connection	Part Number	Page
HID 500	D1S	12 V	F	Pedestal, Pendant	Bare lead, Int DT	VP200111	15
HID 500	D1S	24 V	F	Pedestal, Pendant	Bare lead, Int DT	VP200211	15
HID 500	D1S	12 V	LR	Pedestal, Pendant	Bare lead, Int DT	VP200112	15
HID 500	D1S	24 V	LR	Pedestal, Pendant	Bare lead, Int DT	VP200212	15
HID 500	D1S	12 V	T	Pedestal, Pendant	Bare lead, Int DT	VP200116	15
HID 500	D1S	24 V	T	Pedestal, Pendant	Bare lead, Int DT	VP200216	15
HID 500	D1S	12 V	S	Pedestal, Pendant	Bare lead, Int DT	VP200114	15
HID 500	D1S	24 V	S	Pedestal, Pendant	Bare lead, Int DT	VP200214	15
HID 700	D1S	12 V	F	Pedestal, Pendant	Bare lead, Int DT	VP201111	16
HID 700	D1S	24 V	F	Pedestal, Pendant	Bare lead, Int DT	VP201211	16
MY HID 7700	D1S	12 V	WF	Pedestal, Pendant, Side	Bare lead, custom	VP202123	17
MY HID 7700	D1S	24 V	WF	Pedestal, Pendant, Side	Bare lead, custom	VP202223	17
MY HID 7700	D1S	12 V	BB	Pedestal, Pendant, Side	Bare lead, custom	VP202125	17
MY HID 7700	D1S	24 V	BB	Pedestal, Pendant, Side	Bare lead, custom	VP202225	17
MY HID 7700	D1S	12 V	F	Pedestal, Pendant, Side	Bare lead, custom	VP202121	17
MY HID 7700	D1S	24 V	F	Pedestal, Pendant, Side	Bare lead, custom	VP202221	17

HID/XENON LIGHTING (CONTINUED)

Product	Bulbs	Voltage / Ballast	Light Pattern*	Mounting	Connection	Part Number	Page
ALPHA 225 PRO	D1S	12 V	BB	Pedestal	Bare lead	VP203125	18
ALPHA 225 PRO	D1S	12 V	BB	Pedestal	Bare lead	VP203125C	18
ALPHA 225 PRO	D1S	24 V	BB	Pedestal	Bare lead	VP203225	18
ALPHA 225 PRO	D1S	12 V	PB	Pedestal	Bare lead	VP203127	18
ALPHA 225 PRO	D1S	24 V	PB	Pedestal	Bare lead	VP203227	18
ALPHA 175	D1S	9-32 V	BB	Pedestal, Pendant	Bare lead	VP204025	19
ALPHA 175	D1S	9-32 V	PB	Pedestal, Pendant	Bare lead	VP204027	19
BETA	D1S	9-32 V	BB	Pedestal, Pendant	Bare lead	VP205025	20
BETA	D1S	9-32 V	PB	Pedestal, Pendant	Bare lead	VP205027	20

HALOGEN LIGHTING

Product	Bulbs	Voltage / Ballast	Light Pattern*	Mounting	Connection	Part Number	Page
500 SERIES	H3	12 V	F	Pedestal, Pendant, R/L	Bare lead	VP300121	22
500 SERIES	H3	24 V	F	Pedestal, Pendant, R/L	Bare lead	VP300221	22
500 SERIES	H3	12 V	F	Pedestal, Pendant, R/L	Int DT	VP300111	22
500 SERIES	H3	24 V	F	Pedestal, Pendant, R/L	Int DT	VP300211	22
500 SERIES	H3	12 V	LR	Pedestal, Pendant, R/L	Bare lead	VP300122	22
500 SERIES	H3	24 V	LR	Pedestal, Pendant, R/L	Bare lead	VP300222	22
500 SERIES	H3	12 V	LR	Pedestal, Pendant, R/L	Int DT	VP300112	22
500 SERIES	H3	24 V	LR	Pedestal, Pendant, R/L	Int DT	VP300212	22
700 SERIES	H3	12 V	F	Pedestal, Pendant, Side	Grommet, Int DT	VP301111	23
700 SERIES	H3	24 V	F	Pedestal, Pendant, Side	Grommet, Int DT	VP301211	23
700 SERIES	H3	12 V	LR	Pedestal, Pendant, Side	Grommet, Int DT	VP301112	23
700 SERIES	H3	24 V	LR	Pedestal, Pendant, Side	Grommet, Int DT	VP301212	23
1100 SERIES	H3	12 V	F	Pedestal, Pendant, Side	Bare lead, sp. term	VP302121	24
1100 SERIES	H3	24 V	F	Pedestal, Pendant, Side	Bare lead, sp. term	VP302221	24
1500 SERIES	H3	12 V	F	Pedestal, Pendant, R/L	Bare lead, custom	VP303121	25
1500 SERIES	H3	24 V	F	Pedestal, Pendant, R/L	Bare lead, custom	VP303221	25
2500 SERIES	H3	12 V	F	Pedestal, Pendant, Side	Bare lead	VP304121	26
2500 SERIES	H3	24 V	F	Pedestal, Pendant, Side	Bare lead	VP304221	26
2500 SERIES	H3	12 V	F	Pedestal, Pendant, Side	Spade	VP304131	26
2500 SERIES	H3	24 V	F	Pedestal, Pendant, Side	Spade	VP304231	26
2500 SERIES	H3	12 V	S	Pedestal, Pendant, Side	Bare lead	VP304124	26
2500 SERIES	H3	24 V	S	Pedestal, Pendant, Side	Bare lead	VP304224	26
2500 SERIES	H3	12 V	S	Pedestal, Pendant, Side	Spade	VP304134	26
2500 SERIES	H3	24 V	S	Pedestal, Pendant, Side	Spade	VP304234	26

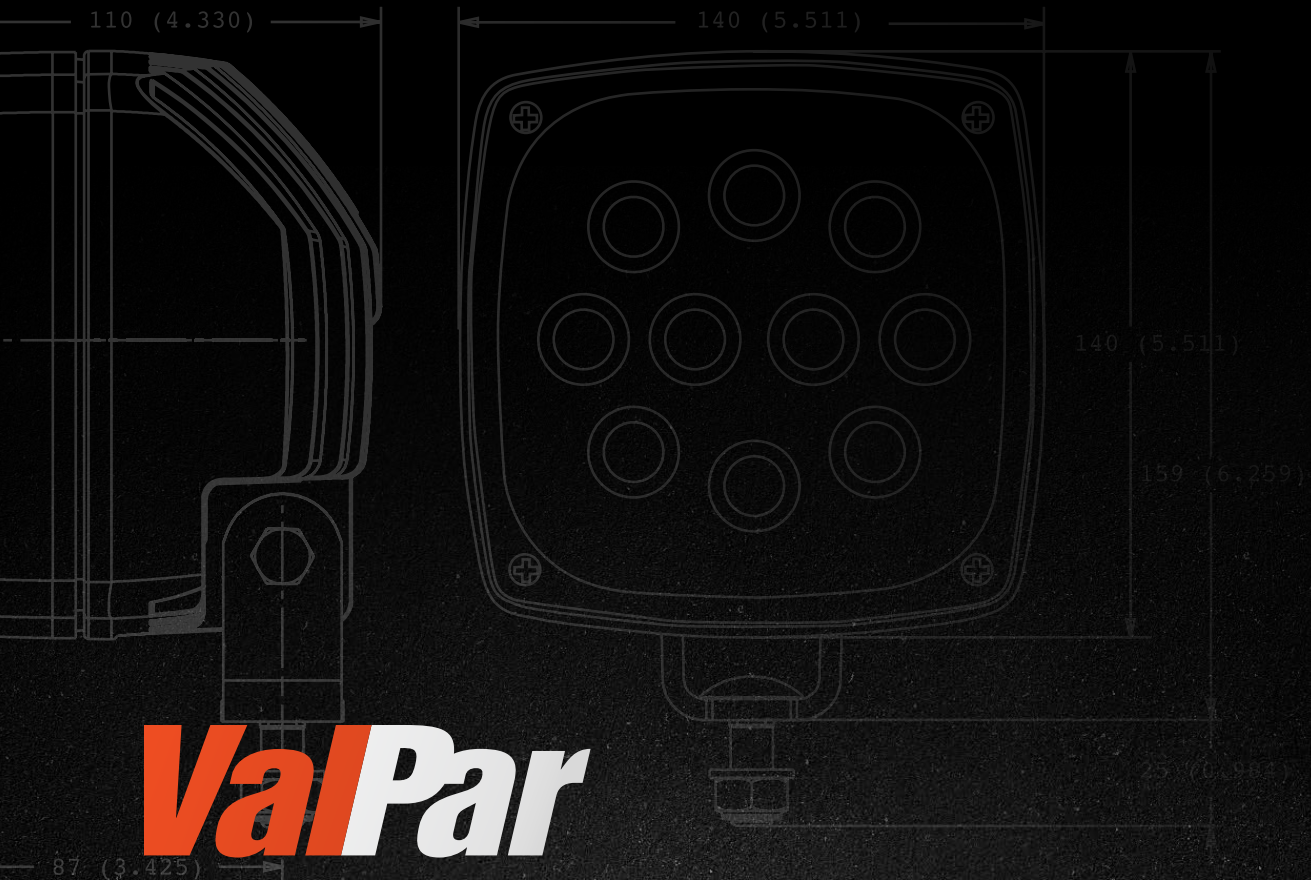
HALOGEN LIGHTING (CONTINUED)

Product	Bulbs	Voltage / Ballast	Light Pattern*	Mounting	Connection	Part Number	Page
2560	H3	12 V	F	Pedestal, Pendant, Side	Bare lead	VP305121	27
2560	H3	24 V	F	Pedestal, Pendant, Side	Bare lead	VP305221	27
2560	H3	12 V	F	Pedestal, Pendant, Side	Spade	VP305131	27
2560	H3	24 V	F	Pedestal, Pendant, Side	Spade	VP305231	27
2560	H3	12 V	S	Pedestal, Pendant, Side	Bare lead	VP305124	27
2560	H3	24 V	S	Pedestal, Pendant, Side	Bare lead	VP305224	27
2560	H3	12 V	S	Pedestal, Pendant, Side	Spade	VP305134	27
2560	H3	24 V	S	Pedestal, Pendant, Side	Spade	VP305234	27
3800	H4	12 V	D (SAE)	Pedestal, Pendant, Side	Int DT, comp. seal	VP306118	28
3800	H4	24 V	D (SAE)	Pedestal, Pendant, Side	Int DT, comp. seal	VP306218	28
3800	H4	12 V	D (ECE)	Pedestal, Pendant, Side	Int DT, comp. seal	VP306119	28
3800	H4	24 V	D (ECE)	Pedestal, Pendant, Side	Int DT, comp. seal	VP306219	28
3005	H4	12 V	D (ECE)	Pedestal, Pendant, Rear, Sw.	Grommet, Bare lead	VP307129	29
3005	H4	24 V	D (ECE)	Pedestal, Pendant, Rear, Sw.	Grommet, Bare lead	VP307229	29
3005	H4	12 V	D (ECE)	Pedestal, Pendant, Rear, Sw.	Grommet, 6-pin DT	VP307119	29
3005	H4	24 V	D (ECE)	Pedestal, Pendant, Rear, Sw.	Grommet, 6-pin DT	VP307219	29
2505	H4	12 V	D (ECE)	Pedestal, Pendant	Internal, custom	VP308129	29
2505	H4	24 V	D (ECE)	Pedestal, Pendant	Internal, custom	VP308229	29
ALPHA 225 PRO	H1	12 V	BB	Pedestal	Bare lead	VP309125	30
ALPHA 225 PRO	H1	24 V	BB	Pedestal	Bare lead	VP309225	30
ALPHA 225 PRO	H1	12 V	PB	Pedestal	Bare lead	VP309127	30
ALPHA 225 PRO	H1	24 V	PB	Pedestal	Bare lead	VP309227	30
ALPHA 175	H1	12 V	BB	Pedestal, Pendant, Side	Bare lead	VP310125	31
ALPHA 175	H1	24 V	BB	Pedestal, Pendant, Side	Bare lead	VP310225	31
ALPHA 175	H1	12 V	PB	Pedestal, Pendant, Side	Bare lead	VP310127	31
ALPHA 175	H1	24 V	PB	Pedestal, Pendant, Side	Bare lead	VP310227	31
BETA	H1	12 V	BB	Pedestal, Pendant	Bare lead	VP311125	32
BETA	H1	24 V	BB	Pedestal, Pendant	Bare lead	VP311225	32
BETA	H1	12 V	PB	Pedestal, Pendant	Bare lead	VP311127	32
BETA	H1	24 V	PB	Pedestal, Pendant	Bare lead	VP311227	32



DON'T SEE WHAT YOU'RE LOOKING FOR?

Do you need a different voltage, lens colour, mount or connection type?
We can supply just about any configuration you can think of, just give us a call.



ValPar

Premium Performance. Heavy Duty Value.

ValPar's premium quality products are proven and tested in the toughest conditions on earth to improve uptime and reduce operating costs for all makes and applications.

- Lubricants
- Fluids
- Lighting
- Filters
- Starters
- Cab Glass
- Alternators
- And More
- Batteries

For the location of the ValPar distributor nearest you, please call 1-877-685-4886 or visit us online at www.valpar.ca

ValPar
PO Box 3856
Regina, SK
S4P 3R8