



MODELS

- 620G 770G
- 622G 772G
- 670G 870G
- 672G 872G



Motor Grader Masted Snow Wing

Raise Your Game.

The all-new masted snow wing from Brandt delivers superior unobstructed clearance, so you can take your snow-clearing operation to new heights.

① Productivity

This powerful attachment is purpose-built to make clearing more snow easier than ever:

- Masted rear-mount delivers a true 60" bench height to move snowbanks further from the road and clear overtop of roadside obstacles like guardrails.
- Conical blade profile delivers superior snow-casting ability, moving snow as far off the roadway as possible.
- Flexible design can be lowered up to 29" below grade for clearing snow deep in the ditches.

② Reliability

The snow wing is built tough to handle everything winter can dump on you:

- Wing lift cylinder is connected to the front lift group and top of the wing moldboard to deliver superior lift.
- Hydraulic push pole uses a heavy-duty constant rate-spring to maximize shock absorption and reduce wear caused by vibration.
- Internal ribs and external gussets provide the extra strength required to maximize attachment life, even in tough conditions.

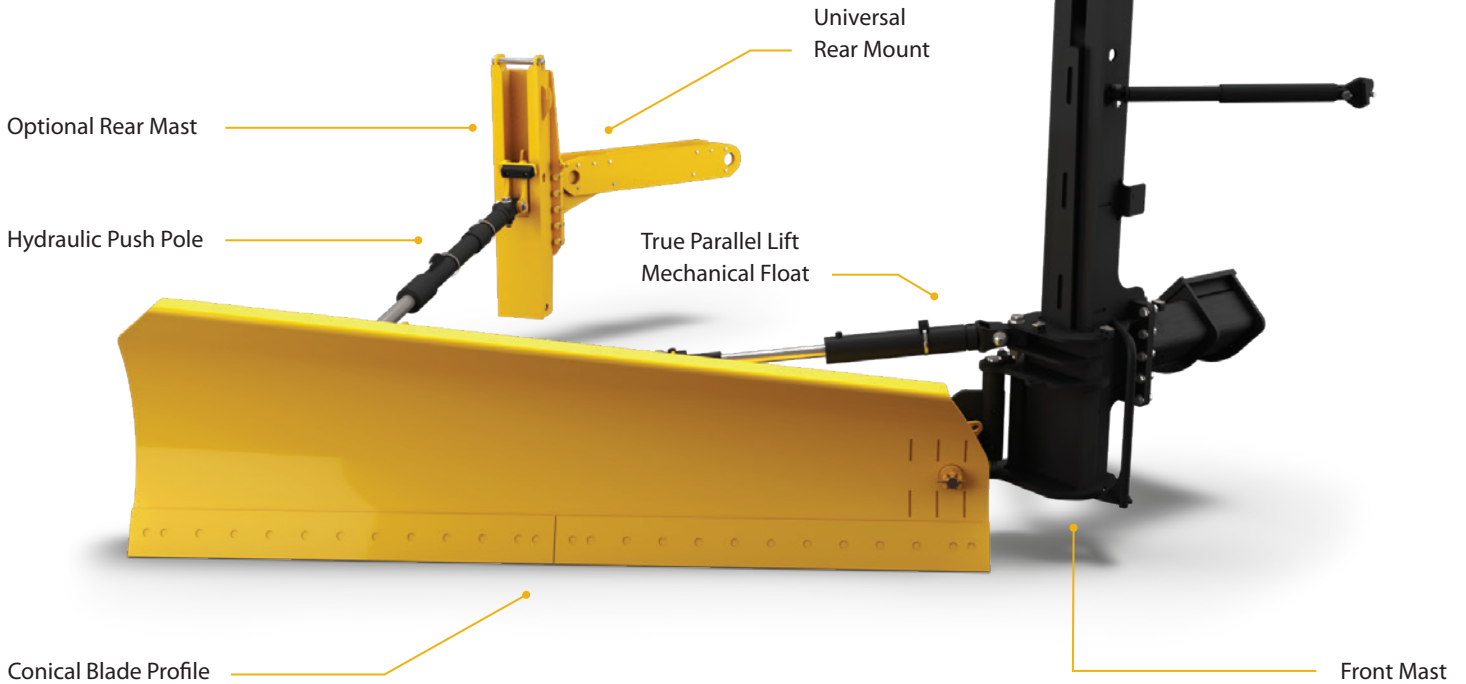
③ Safety

Work confidently knowing this snow wing was specially designed with your safety in mind:

- Strategically-positioned lift cylinders enable single-lever parallel lift to allow the operator to keep their eyes on the road, not the controls.
- Easily-compatible attachment allows the operator to utilize both doors for superior visibility and quick exit in the event of an emergency.
- All pivot areas are made from high-strength abrasion-resistant steel to maximize durability and reduce downtime.

MOTOR GRADER MASTED SNOW WING

FEATURES



True Parallel Lift

Provides superior control of the attachment to make clearing safer and easier.

Mechanical Float

Allows for travel at the toe and heel of the wing for smooth operation.

Universal Rear Mount

Includes incorporated hitch to accommodate pull-behind equipment for greater flexibility.

Optional Rear Mast

Raises the rear push pole above the bench area to optimize performance around obstacles and heavy snowfall.

MODELS

FRONT & REAR MASTED SNOW WING		FRONT MASTED SNOW WING	
PN:1100747		PN:1100764	
Blade Width	12'	Blade Width	12'
Bench Height	60"	Bench Height	60"
Ditching Depth	29"	Ditching Depth	29"
Universal Rear Mount	Yes	Universal Rear Mount	Yes
Hydraulic Push Pole	Yes	Hydraulic Push Pole	Yes

For more information:
 Call us at **1-844-3bucket (1-844-328-2538)**
 Email us at beslorderdesk@brandt.ca
 Or visit us at www.brandt.ca

Brandt Equipment Solutions
 PO Box 1876, 302 Mill Street
 Regina, SK, Canada
 S4P 3E1

