

L-II SERIES
SKIDDERS



JOHN DEERE

640L-II / 648L-II / 748L-II / 768L-II / 848L-II / 948L-II



**RELIABILITY
MEETS
SIMPLICITY**





***OUTRUN THE
ORDINARY.***

Our L-II Series Skidders reflect years of continual refinement based on invaluable input from loggers like you — the ones who live it every day. We took our most powerful, productive skidders ever, the L-Series, and incrementally enhanced performance and durability to push them to the next level. These upgrades resulted in over 1,600 component changes, including more robust electrical harnesses, fittings, hoses, cylinder guards, grapple-tong teeth, and more.

We made subtle changes under the hood — for example, improving component placement and dramatically reducing the complexity of the electrical and hydraulic systems. All with the goal of improving the overall customer experience. The result is a reengineered machine that is simpler, easier to maintain, and more reliable.

And if that weren't enough, we've added a bold new six-wheel 768L-II Bogie Skidder that delivers outstanding traction, stability, and flotation to the wide-ranging lineup.

Built on over 180 years of groundbreaking innovation. Backed by a half-century of experience in the woods. And continually evolving to meet and exceed our customers' highest expectations. Our L-II Series Skidders have what it takes to help you outrun the competition.

ALL DAY, EVERY DAY

Simply more reliable.

Incorporating a less complex, easier-to-maintain design, our L-II Series Skidders are well equipped to handle the toughest forest environments.

Redesigned electrical and hydraulic systems

Routing of the electrical and hydraulic systems has been simplified significantly, to improve reliability and ease maintenance. Wiring and hoses are better protected against wear and bending. Durable forestry-proven electrical components help extend wear life.

Ground-game changer

For work in wet conditions and on steep slopes, the new 768L-II Bogie Skidder can turn the tide. Combining tenacious tractive ability and flotation with reduced ground pressure, this six-wheel skidder carries large loads longer distances.

Stronger winches

Two-speed 4000 Winch increases line pull and is faster than the single-speed winch on previous models, boosting productivity.

Softer steering

Steering sensors control articulation speed when nearing frame-to-frame contact, cushioning impact during full articulation and improving operator comfort.

Longer booms

Opt for longer booms on the 848L-II and 948L-II for more maneuverability when working on slopes.

Tougher tires

Higher-ply tire options from the factory increase tire strength for carrying heavier loads.

Bigger grapples

Larger grapples — including a huge 22.3-square-foot model on the 768L-II and 948L-II — help you deliver more wood to the landing with fewer skids. Grapple squeeze provides a constant pressure, so operators are less likely to lose a log, even if a load gets jarred.



BEST OF BOTH WORLDS

Continuously Variable Transmission (CVT).

Loggers often wonder if the easy-to-use CVT transmission is a direct-drive or hydrostatic transmission. The answer? Without being either, CVT combines the efficiency of a direct-drive transmission with the smoothness and operating ease of a hydrostatic drive.



**NO MORE
SHIFTING**
WITH CVT

More power to the ground

CVT automatically senses the load, delivering more torque and tractive effort as needed to maintain the desired speed.

Durable and fluid efficient

Efficient CVT transmission keeps engine speed constant, reducing engine wear while providing excellent fluid economy. Proven components, simplified electronics, and internally routed hoses further bolster durability.

Easy to operate

No more shifting. Simply set the maximum speed and let the CVT do the rest. There's no need to hunt for the correct gear, shortening the learning curve for new operators, while helping experienced pros maximize productivity.





RELENTLESS

The real deal.

L-II Series Skidders combine a range of grapple choices with serious power and stability — for the versatility and performance you need to give it your all.

More grapple capacity

Expanded grapple options — from the 17.5-square-foot grapple on the 648L-II up to a massive 22.3-square-foot capacity on the 768L-II and 948L-II — give you more flexibility to configure your skidder to best match the application.

Tough grapples

Grapples feature box-style tongs for maximum strength and harder wear surfaces for long life. Components are easy to access, simplifying service.



MAXIMUM
22.3 -SQ.-FT.
GRAPPLE

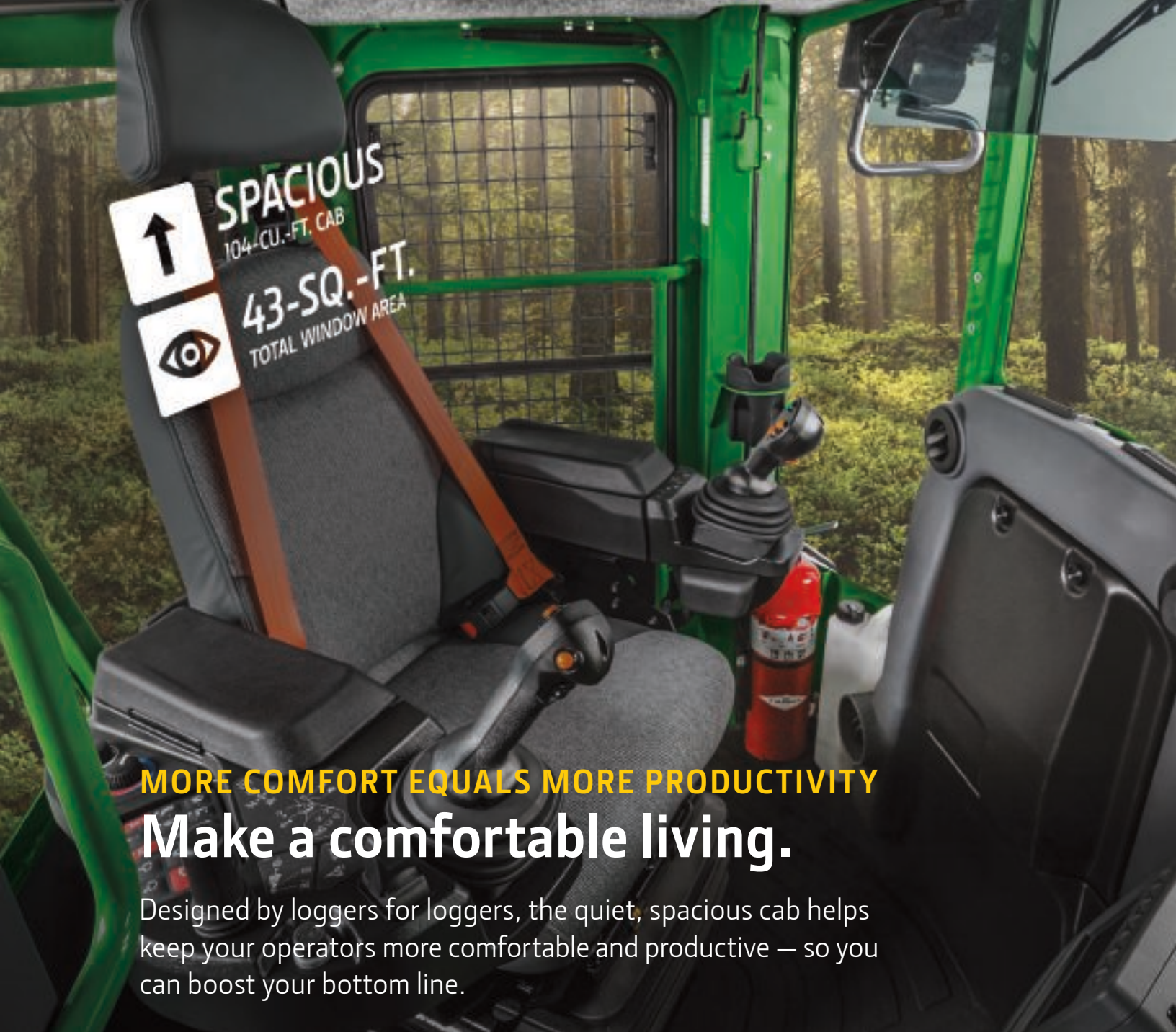
**ON THE 768L-II
& 948L-II**

Superb power and stability

Combining impressive horsepower and power-to-weight ratio with a constant engine speed, L-II Series Skidders deliver superb responsiveness with maximum efficiency. Rock-solid stability provides excellent pulling power, especially when climbing hills, navigating adverse terrain, or hauling bigger payloads.

Independent axle-diff lock

On all models, engage the front and rear axles, or just the front or rear as needed, to maneuver over tough terrain.



MORE COMFORT EQUALS MORE PRODUCTIVITY

Make a comfortable living.

Designed by loggers for loggers, the quiet, spacious cab helps keep your operators more comfortable and productive — so you can boost your bottom line.

Find your comfort zone

Fatigue-beating creature comforts include a highly efficient HVAC system, operator-configurable controls, and plenty of storage space.

Balanced stability

The new 768L-II features balanced bogie axles that help reduce machine vibration to deliver a comfortably smooth ride.

Configure controls to conditions

Operators can save their preferred control configurations, so they can spend less time setting up the machine and more time working productively.

Reduce neck strain

Opt for a rotating high-back seat to improve rearward visibility to the grapple and minimize neck strain.

Work before (or past) daylight

Six high-intensity halogen lights are standard, for when you need to start early or stay late. For additional illumination, opt for a work-light or LED package.

Effortless operation

Armrest-mounted electrohydraulic controls provide easy, fingertip operation of all machine functions and turn with the optional rotating seat. Joystick steering provides smooth, intuitive control of steering, direction, and ground speed.

GO TO EXTREMES

Tame the toughest woods.

In the forest, you need uptime above all else. L-II Series Skidders keep going, even when the going gets tough.

Our most rugged axles ever

Outboard-Extreme™ axles are designed with larger components to deliver maximum jobsite durability, along with a heavier weight to boost machine stability. They're standard on the 848L-II and 948L-II, optional on the 748L-II (not available on the 640L-II, 648L-II, and 768L-II). The 768L-II boasts balanced bogie axles for outstanding traction and flotation in wet and steep terrain.

Reliable drivetrain

A constant engine speed helps provide superb multifunction performance. The elimination of sudden surges and engine overspeed also reduces component wear and helps extend engine life. The 640L-II, 648L-II, and 748L-II feature high-performance 6.8-liter diesels, while the 768L-II, 848L-II, and 948L-II run powerful 9.0-liter engines.

Trouble-free bushings and pins

Straight bushings at all grapple, arch, boom, and blade joints deliver long, trouble-free life and can be quickly replaced. Grease-through pins are more resistant to dust, rust, and debris.

Durable frame and arch

The frame and arch have been redesigned and reinforced to maximize durability. Boom-arch hoses are routed inside the arch, for maximum protection and ready repair access.



STRONG

BOX-STYLE TONGS

MAXIMIZE

WEAR LIFE

Minimize maintenance and expense

Unlatch the large panels for fast, wide-open access to filters and critical components. Grease points for boom and arch are easily reached from ground level, while extended service intervals help to further simplify maintenance and reduce expense.

Low total fluid consumption

John Deere EPA Final Tier 4 (FT4)/EU Stage V engines maintain engine performance while minimizing total fluid consumption — diesel fuel plus diesel exhaust fluid.

Long axle life

A pressurized continuous-lube system and independent axle filters help extend wear life up to 15,000 hours.* Axle oil-pressure monitoring alerts the operator if a leak occurs.

**Not applicable to dual-tire configurations.*

Fuel-efficient hydraulic reversing fan

Hydraulic-driven variable-speed fan runs only as needed, reducing fuel consumption and debris flow through the cooler cores. It's programmable to reverse at periodic intervals to clear core-clogging buildup. Or it can be actuated at the push of a button if demanded by conditions.

Easy cooling-package access

Cooling fan and other system components swing out for quick, easy cleaning.

Keep fuel costs down

Auto-idle reduces engine speed after a period of inactivity, reducing fuel consumption and noise while extending component life. Auto shutdown turns the engine off after a preset length of time, reducing engine wear and fuel costs.

Extended filter-change interval

Hydraulic filter service interval is 4,000 hours. Most customers will be able to work a whole season without a change interrupting production.



PENNY

Get valuable insight with
PRECISION FORESTRY

TimberMatic™ Maps and TimberManager™

TimberMatic Maps and TimberManager are proven jobsite-mapping tools designed for full-tree logging operations. TimberMatic Maps enables enhanced visibility, allowing operators to review production values as well as see and create points of interest that can be shared in real time with other onsite team members. Staff not on the jobsite can also access any of this data through TimberManager, to optimize tasks and increase efficiency.

JDLink™

With a JDLink subscription, alerts can be sent to your computer or mobile device — or your John Deere dealer, if you choose — to inform you of immediate machine issues. If downtime does occur, exclusive remote diagnostics and programming enable your dealer to minimize the time and cost associated with sending a technician to the logging site for an initial diagnostic visit. You can also receive reminders of periodic scheduled maintenance on your computer or mobile device, or from your dealer.



Y-PINCHER

640L-II / 648L-II / 748L-II

Engine	640L-II / 648L-II			748L-II	
Manufacturer / Model	John Deere PowerTech™ PSS 6.8L	John Deere PowerTech™ Plus 6.8L	John Deere PowerTech™ 6.8L	John Deere PowerTech PSS 6.8L	John Deere PowerTech 6.8L
Off-Road Emission Standards	EPA Final Tier 4/EU Stage V	EPA Tier 3/EU Stage IIIA	EPA Tier 2/EU Stage II	EPA Final Tier 4/EU Stage V	EPA Tier 2/EU Stage II
Gross Power	177 kW (237 hp) at 1,800 rpm	163 kW (218 hp) at 1,800 rpm	157 kW (210 hp) at 1,800 rpm	196 kW (263 hp) at 1,800 rpm	172 kW (231 hp) at 1,800 rpm
Gross Torque	1025 Nm (756 ft.-lb.) at 1,600 rpm	979 Nm (722 ft.-lb.) at 1,400 rpm	943 Nm (695 ft.-lb.) at 1,400 rpm	1141 Nm (841 ft.-lb.) at 1,600 rpm	1020 Nm (752 ft.-lb.) at 1,400 rpm
Number of Cylinders	6	6	6	6	6
Valves per Cylinder	4	4	4	4	4
Engine Displacement	6.8 L (415 cu. in.)	6.8 L (415 cu. in.)	6.8 L (415 cu. in.)	6.8 L (415 cu. in.)	6.8 L (415 cu. in.)
Engine Bore and Stroke	106 x 127 mm (4.17 X 5.00 in.)				
Fuel System	High-pressure common rail				
Aspiration	Turbocharged and charge-air cooled				
Air Cleaner	Dual stage with safety element				
Engine Cold-Start System	Glow plugs				
Cooling	640L-II / 648L-II / 748L-II				
Cooling System	Heavy-duty radiator with continuous deaeration tank and recovery reservoir				
Fan Drive	Hydraulic, variable speed, reversing				
Powertrain	640L-II / 648L-II			748L-II	
Transmission	Continuously Variable Transmission (CVT)			CVT	
Speed Ranges, Forward and Reverse	6			6	
Maximum Travel Speed With 30.5-32 Tires	0–24.74 km/h (0–15.37 mph) — 6 speed-range configurations available			0–24.74 km/h (0–15.37 mph) — 6 speed-range configurations available	
Axles					
Front Axle Oscillation, Stop to Stop	30 deg.			30 deg.	
Options	1400 Extreme Duty and 1400 Super Wide Extreme Duty (SWEDA™)			1425 SWEDA and 1700 Outboard-Extreme™	
Differential (front and rear)	Hydraulic-locking, operated-on-the-go, closed-center differential lock			Hydraulic-locking, operated-on-the-go, closed-center differential lock	
Steering	Fully hydraulic, joystick or wheel			Fully hydraulic, joystick or wheel	
Articulation Angle	45-deg. each direction			45-deg. each direction	
Service Brakes	Inboard-mounted, wet-disc, oil-cooled, self-adjusting and self-equalizing front and rear axles				
Parking Brake	Automatically spring-applied, hydraulically released, sealed and lubricated, wet multi-disc				
Hydraulics	640L-II / 648L-II / 748L-II				
Main Pump	Open circuit, axial piston, variable displacement				
Maximum Displacement	85 cc/rev (5.19 ci/rev)				
Electrical System					
Voltage	24 volt				
Number of Batteries (12 volt)	2				
Battery Capacity (each)	950 CCA				
Alternator Rating	150 amp				
Lights (optional)	11				
Dual-Function Grapples	640L-II	648L-II	748L-II		
Standard					
Opening	N/A	3226 mm (127 in.)	3251 mm (128 in.)		
Area	N/A	1.24 m ² (13.3 sq. ft.)	1.48 m ² (15.9 sq. ft.)		
Optional					
Opening	N/A	3251 mm (128 in.)	3886 mm (153 in.)		
Area	N/A	1.48 m ² (15.9 sq. ft.)	1.63 m ² (17.5 sq. ft.)		
Optional					
Opening	N/A	3886 mm (153 in.)	3785 mm (149 in.)		
Area	N/A	1.63 m ² (17.5 sq. ft.)	1.77 m ² (19.1 sq. ft.)		
Grapple Control	N/A			Joystick	
Refill Capacities					
Fuel Tank					
Standard	342.2 L (90.4 gal.)	391.8 L (103.5 gal.)	391.8 L (103.5 gal.)		
Optional	N/A	457.7 L (120.9 gal.)	457.7 L (120.9 gal.)		
Hydraulic Reservoir	123.6 L (32.6 gal.)	123.6 L (32.6 gal.)	123.6 L (32.6 gal.)		
Diesel Exhaust Fluid (DEF) Tank	19.9 L (5.2 gal.)	19.9 L (5.2 gal.)	19.9 L (5.2 gal.)		
Operating Weights					
Machine Weight	16 686 kg (36,787 lb.)	19 054 kg (42,159 lb.)	19 713 kg (43,610 lb.)		
Dozer Blade					
Width	2192 mm (86.3 in.) or 2962.4 mm (116.6 in.)	2192 mm (86.3 in.) or 2962.4 mm (116.6 in.)	2962.4 mm (116.6 in.)		
Height	687.6 mm (27.1 in.)	687.6 mm (27.1 in.)	687.6 mm (27.1 in.)		
Blade Control	Joystick			Joystick	

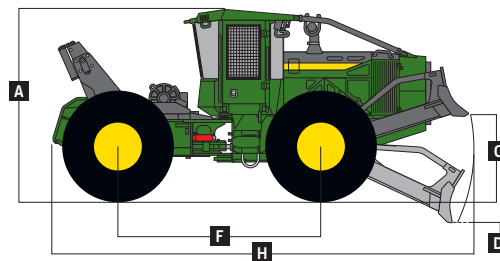
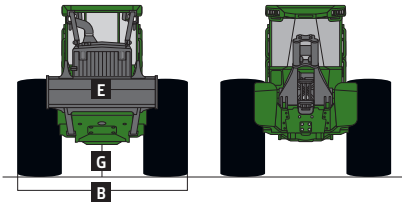
While general information, pictures, and descriptions are provided, some illustrations and text may include product options and accessories NOT AVAILABLE in all regions, and in some countries products and accessories may require modifications or additions to ensure compliance with the local regulations of those countries.



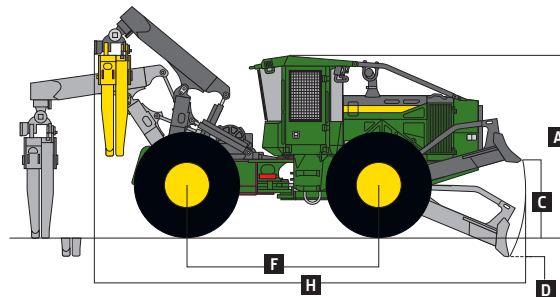
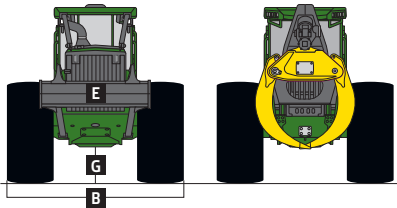
Boom Options	640L-II	648L-II	748L-II
Size	N/A	2.6 m	2.6-m standard / 3.0-m optional
Winch	640L-II / 648L-II / 748L-II		
Winch Control	Joystick control, hydraulically driven		
Cable Capacity	2-Speed 6000 Winch With 279.5-mm (11 in.) Drum		2-Speed 4000 Winch With 204-mm (8 in.) Drum
15.8 mm (5/8 in.)	119.0 m (390 ft.)		77.4 m (252 ft.)
19.1 mm (3/4 in.)	81.4 m (267 ft.)		54.6 m (177 ft.)
22.2 mm (7/8 in.)	60.3 m (197 ft.)		39.3 m (128 ft.)
25.4 mm (1 in.)	46.0 m (150 ft.)		30.7 m (100 ft.)
Line Pull – 15.8-mm (5/8 in.) Cable	<i>Bare Drum at Stall With 2-Speed 6000 Winch</i>		<i>Bare Drum at Stall With 2-Speed 4000 Winch</i>
Low Speed	221.0 kN (49,696 lb.)		213.5 kN (47,997 lb.)
High Speed	147.3 kN (33,131 lb.)		142.3 kN (31,990 lb.)
Winch	640L-II	648L-II / 748L-II	
Line Speed – 15.8-mm (5/8 in.) Cable	<i>Bare Drum at 1,800 rpm With 2-Speed 6000 or 4000 Winch</i>		<i>Bare Drum at 1,800 rpm With 2-Speed 6000 or 4000 Winch</i>
Low Speed	18.2 m/min (60 fpm)		13.4 m/min. (44 fpm)
High Speed	27.4 m/min (90 fpm)		20.1 m/min. (66 fpm)
Machine Dimensions	640L-II	648L-II	748L-II
	<i>Cable Skidder</i>	<i>Dual Function</i>	<i>Dual Function</i>
Tire Size	30.5-32		
A Overall Height	3365 mm (132.5 in.)	3365 mm (132.5 in.)	3365 mm (132.5 in.)
B Overall Width	3233 mm (127.3 in.)	3233 mm (127.3 in.)	3239 mm (127.5 in.)
C Maximum Blade Lift Above Ground	1517 mm (59.7 in.)	1517 mm (59.7 in.)	1517 mm (59.7 in.)
D Maximum Blade Dig Below Ground	359 mm (14.1 in.)	359 mm (14.1 in.)	359 mm (14.1 in.)
E Dozer Blade Width	2192 mm (86.3 in.)	2192 mm (86.3 in.)	2962.4 mm (116.6 in.)
Optional Dozer Blade Width	2962.4 mm (116.6 in.)	2962.4 mm (116.6 in.)	N/A
F Wheelbase	3680 mm (144.8 in.)	3680 mm (144.8 in.)	3925 mm (154.5 in.)
G Ground Clearance	555 mm (21.8 in.)	557 mm (21.9 in.)	557 mm (21.9 in.)
H Overall Length	7591 mm (298.9 in.)	8129 mm (320.0 in.)*	8384 mm (330.0 in.)*

*Length based on 2.6-m boom.

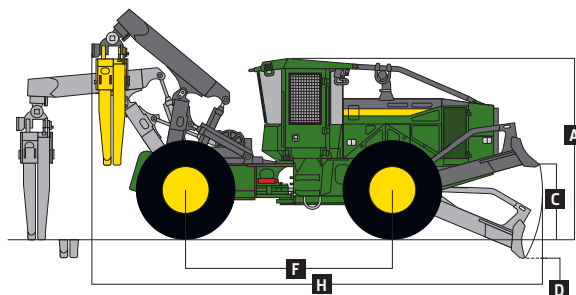
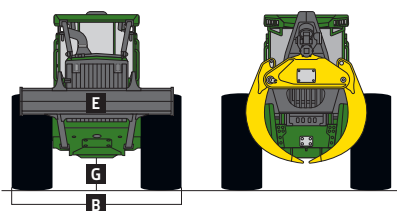
640L-II Skidder



648L-II With Dual-Function Grapple



748L-II With Dual-Function Grapple



While general information, pictures, and descriptions are provided, some illustrations and text may include product options and accessories NOT AVAILABLE in all regions, and in some countries products and accessories may require modifications or additions to ensure compliance with the local regulations of those countries.

768L-II BOGIE

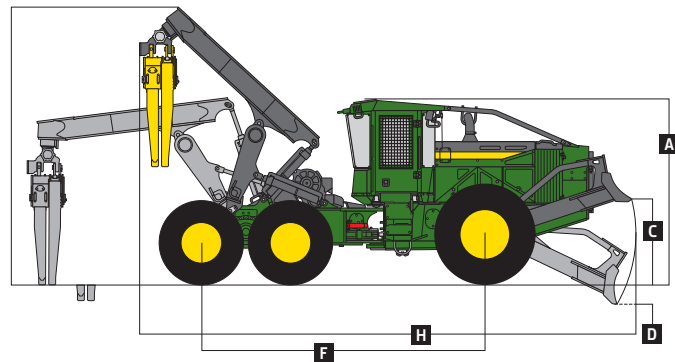
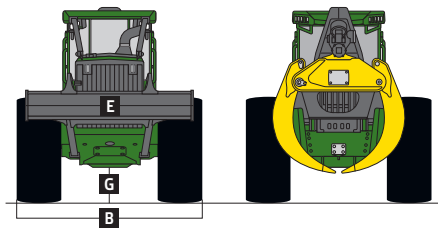
Engine		768L-II	
Manufacturer and Model	John Deere PowerTech™ PSS 9.0 L	John Deere PowerTech™ 9.0 L	John Deere PowerTech™ Plus 9.0 L
Non-Road Emission Standard	EPA Final Tier 4 (FT4)/EU Stage V	EPA Tier 2/EU Stage II	EPA Tier 3/EU Stage IIIA
Gross Power	210 kW (281 hp) at 1,800 rpm	210 kW (281 hp) at 1,800 rpm	210 kW (281 hp) at 1,800 rpm
Gross Torque	1276 Nm (941 ft.-lb.) at 1,400 rpm	1276 Nm (941 ft.-lb.) at 1,400 rpm	1276 Nm (941 ft.-lb.) at 1,400 rpm
Engine Displacement	9.0 L (549 cu. in.)	9.0 L (549 cu. in.)	9.0 L (549 cu. in.)
Fuel System	High-pressure common rail	High-pressure common rail	High-pressure common rail
Aspiration	Turbocharging and charge-air cooling	Turbocharging and charge-air cooling	Turbocharging and charge-air cooling
Cooling			
Cooling System	Heavy-duty radiator with continuous deaeration tank and recovery reservoir		
Fan Drive	Hydraulic, variable speed, reversing		
Powertrain			
Transmission	Continuously Variable Transmission (CVT)		
Speed Ranges, Forward and Reverse	6		
Maximum Travel Speed With 30.5-32 Front Tires	0–17.97 km/h (0–11.16 mph) – 6 speed-range configurations available		
Axles	1425 Super-Wide Extreme-Duty Axle (SWEDA™) front / bogie-axle rear		
Front Axle Oscillation, Stop to Stop	30 deg.		
Differential (front and rear)	Hydraulic-locking, operated-on-the-go, differential lock		
Steering	Fully hydraulic, joystick		
Articulation Angle	45-deg. each direction		
Service Brakes	Inboard-mounted, wet-disc, oil-cooled, front and rear axles		
Parking Brake	Automatically spring-applied, hydraulically released, sealed and lubricated, wet multi-disc		
Hydraulics			
Main Pump	Open circuit, axial piston, variable displacement		
Maximum Displacement	85 cc/rev (5.19 ci/rev)		
Electrical System			
Voltage	24 volt		
Number of Batteries (12 volt)	2		
Battery Capacity (each)	950 CCA		
Alternator Rating	150 amp		
Lights (optional)	11		
Dual-Function Grapples			
Boom	3.7 m		
Standard			
Opening	3785 mm (149 in.)		
Area	1.77 m ² (19.1 sq. ft.)		
Optional			
Opening	3886 mm (153 in.)		
Area	1.63 m ² (17.5 sq. ft.)		
Optional			
Opening	3886 mm (153 in.)		
Area	2.07 m ² (22.3 sq. ft.)		
Control	Joystick		
Refill Capacities			
Fuel Tank			
Standard	352.0 L (93.0 gal.)		
Optional	496.6 L (131.2 gal.)		
Hydraulic Reservoir	123.6 L (32.6 gal.)		
Diesel Exhaust Fluid (DEF) Tank	19.9 L (5.2 gal.)		

While general information, pictures, and descriptions are provided, some illustrations and text may include product options and accessories NOT AVAILABLE in all regions, and in some countries products and accessories may require modifications or additions to ensure compliance with the local regulations of those countries.



Operating Weights		768L-II
Machine Weight		23 697 kg (52,245 lb.)
Dozer Blade		
Type		Standard and Replaceable Cutting Edge (RCE)
Width		2962.4 mm (116.6 in.)
Height		691.0 mm (27.2 in.)
Blade Control		Joystick
Winch		
Winch Control		Joystick control, hydraulically driven
Cable Capacity		2-Speed 4000 Winch With 204-mm (8.03 in.) Drum
15.8 mm (5/8 in.)		77.4 m (252 ft.)
19.1 mm (3/4 in.)		54.6 m (177 ft.)
22.2 mm (7/8 in.)		39.3 m (128 ft.)
25.4 mm (1 in.)		30.7 m (100 ft.)
Line Pull – 15.8-mm (5/8 in.) Cable		<i>Bare Drum at Stall</i>
Low Speed		213.5 kN (47,997 lb.)
High Speed		142.3 kN (31,990 lb.)
Line Speed – 15.8-mm (5/8 in.) Cable		<i>Bare Drum at 1,800 rpm</i>
Low Speed		13.4 m/min (44 fpm)
High Speed		20.1 m/min (66 fpm)
Machine Dimensions		
		<i>Dual Function</i>
Tire Size		30.5-32 Front Axle / 780/50-28.5 Rear Axle
A Overall Height		3365 mm (132.5 in.)
B Overall Width		3508 mm (138.1 in.)
C Maximum Blade Lift Above Ground		1517 mm (59.7 in.)
D Maximum Blade Dig Below Ground		359 mm (14.1 in.)
E Dozer Blade Width		2962.4 mm (116.6 in.)
F Wheelbase		4416.7 mm (173.8 in.)
G Ground Clearance		557 mm (21.9 in.)
H Overall Length		9075.3 mm (357.2 in.)

768L-II With Dual-Function Grapple



While general information, pictures, and descriptions are provided, some illustrations and text may include product options and accessories NOT AVAILABLE in all regions, and in some countries products and accessories may require modifications or additions to ensure compliance with the local regulations of those countries.

848L-II / 948L-II

Engine	848L-II			948L-II		
Manufacturer / Model	John Deere PowerTech™ PSS 9.0L	John Deere PowerTech™ Plus 9.0L	John Deere PowerTech™ 9.0L	John Deere PowerTech PSS 9.0L	John Deere PowerTech Plus 9.0L	John Deere PowerTech 9.0L
Off-Road Emission Standards	EPA Final Tier 4/ EU Stage V	EPA Tier 3/ EU Stage IIIA	EPA Tier 2/ EU Stage II	EPA Final Tier 4/ EU Stage V	EPA Tier 3/ EU Stage IIIA	EPA Tier 2 / EU Stage II
Gross Power at 1,800 rpm	210 kW (281 hp)	210 kW (281 hp)	210 kW (281 hp)	224 kW (300 hp)	224 kW (300 hp)	224 kW (300 hp)
Gross Torque at 1,400 rpm	1276 Nm (941 ft.-lb.)	1276 Nm (941 ft.-lb.)	1276 Nm (941 ft.-lb.)	1369 Nm (1,009 ft.-lb.)	1300 Nm (959 ft.-lb.)	1300 Nm (959 ft.-lb.)
Number of Cylinders	6	6	6	6	6	6
Valves per Cylinder	4	4	4	4	4	4
Engine Displacement	9.0 L (549 cu. in.)	9.0 L (549 cu. in.)	9.0 L (549 cu. in.)	9.0 L (549 cu. in.)	9.0 L (549 cu. in.)	9.0 L (549 cu. in.)
Engine Bore and Stroke	118.4 x 136 mm (4.66 X 5.35 in.)					
Fuel System	High-pressure common rail					
Aspiration	Turbocharged and charge-air cooled					
Air Cleaner	Dual stage with safety element					
Engine Cold-Start System	Auto ether					
Cooling	848L-II / 948L-II					
Cooling System	Heavy-duty radiator with continuous deaeration tank and recovery reservoir					
Fan Drive	Hydraulic, variable speed, reversing					
Powertrain						
Transmission	Continuously Variable Transmission (CVT)					
Speed Ranges, Forward and Reverse	6					
Maximum Travel Speed With 35.5-32 Tires	0–25.0 km/h (0–15.53 mph) — 6 speed-range configurations available					
Axles	1700 Outboard-Extreme™					
Front Axle Oscillation, Stop to Stop	30 deg.					
Differential (front and rear)	Hydraulic-locking, operated-on-the-go, closed-center differential lock					
Steering	Fully hydraulic, joystick or wheel					
Articulation Angle	45-deg. each direction					
Service Brakes	Inboard-mounted, wet-disc, oil-cooled, self-adjusting and self-equalizing front and rear axles					
Parking Brake	Automatically spring-applied, hydraulically released, sealed and lubricated, wet multi-disc					
Hydraulics						
Main Pump	Open circuit, axial piston, variable displacement					
Maximum Displacement	85 cc/rev (5.19 ci/rev)					
Electrical System						
Voltage	24 volt					
Number of Batteries (12 volt)	2					
Battery Capacity (each)	950 CCA					
Alternator Rating	150 amp					
Lights (optional)	11					
Dual-Function Grapples	848L-II			948L-II		
Standard						
Opening	3785 mm (149 in.)			3886 mm (153 in.)		
Area	1.77 m ² (19.1 sq. ft.)			2.07 m ² (22.3 sq. ft.)		
Optional						
Opening	3886 mm (153 in.)			3785 mm (149 in.)		
Area	1.63 m ² (17.5 sq. ft.)			1.77 m ² (19.1 sq. ft.)		
Optional						
Opening	N/A			3886 mm (153 in.)		
Area	N/A			1.63 m ² (17.5 sq. ft.)		
Control	Joystick			Joystick		
Refill Capacities	848L-II / 948L-II					
Fuel Tank						
Standard	391.8 L (103.5 gal.)					
Optional	457.7 L (120.9 gal.)					
Hydraulic Reservoir	123.6 L (32.6 gal.)					
Diesel Exhaust Fluid (DEF) Tank	19.9 L (5.2 gal.)					

While general information, pictures, and descriptions are provided, some illustrations and text may include product options and accessories NOT AVAILABLE in all regions, and in some countries products and accessories may require modifications or additions to ensure compliance with the local regulations of those countries.

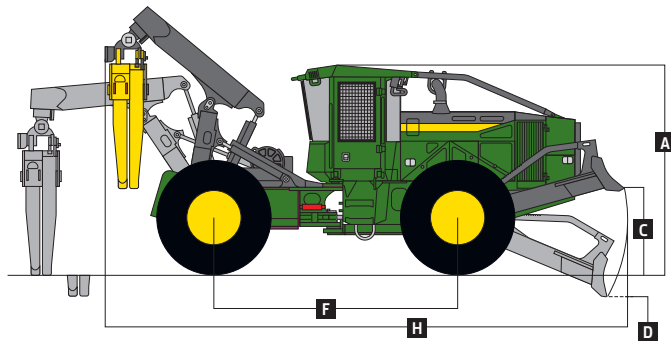
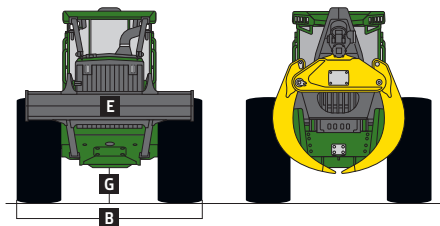


Operating Weights	848L-II	948L-II
Machine Weight	22 384 kg (49,499 lb.)	22 484 kg (49,570 lb.)
Dozer Blade	848L-II / 948L-II	
Width	2962.4 mm (116.6 in.)	
Height	691.0 mm (27.2 in.)	
Blade Control	Joystick	
Boom Options		
Size	2.6 m standard / 3.0 m optional	
Winch		
Winch Control	Joystick control, hydraulically driven	
Cable Capacity	2-Speed 6000 Winch With 279.5-mm (11 in.) Drum	2-Speed 4000 Winch With 204-mm (8.03 in.) Drum
15.8 mm (5/8 in.)	119.0 m (390 ft.)	77.4 m (252 ft.)
19.1 mm (3/4 in.)	81.4 m (267 ft.)	54.6 m (177 ft.)
22.2 mm (7/8 in.)	60.3 m (197 ft.)	39.3 m (128 ft.)
25.4 mm (1 in.)	46.0 m (150 ft.)	30.7 m (100 ft.)
Line Pull – 15.8-mm (5/8 in.) Cable	<i>Bare Drum at Stall With 2-Speed 6000 Winch</i>	<i>Bare Drum at Stall With 2-Speed 4000 Winch</i>
Low Speed	221.0 kN (49,696 lb.)	213.5 kN (47,997 lb.)
High Speed	147.3 kN (33,131 lb.)	142.3 kN (31,990 lb.)
Line Speed – 15.8-mm (5/8 in.) Cable	<i>Bare Drum at 1,800 rpm With 2-Speed 6000 Winch</i>	<i>Bare Drum at 1,800 rpm With 2-Speed 4000 Winch</i>
Low Speed	13.4 m/min (44 fpm)	13.4 m/min (44 fpm)
High Speed	20.1 m/min (66 fpm)	20.1 m/min (66 fpm)

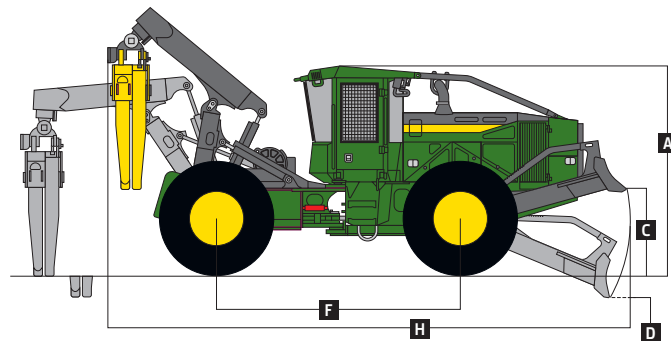
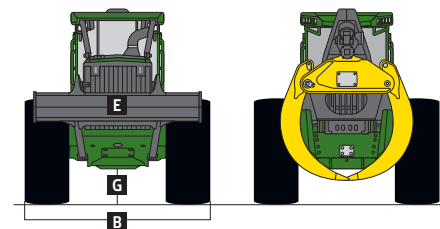
Machine Dimensions	<i>Dual Function</i>
Tire Size	35.5-32
A Overall Height*	3454 mm (136.0 in.)
B Overall Width	3575 mm (140.7 in.)
C Maximum Blade Lift Above Ground	1578 mm (62.1 in.)
D Maximum Blade Dig Below Ground	298 mm (11.7 in.)
E Dozer Blade Width	2962.4 mm (116.6 in.)
F Wheelbase	3975 mm (156.5 in.)
G Ground Clearance	604 mm (23.7 in.)
H Overall Length*	8469 mm (333.4 in.)

*Based on 2.6-m boom.

848L-II With Dual-Function Grapple



948L-II With Dual-Function Grapple



While general information, pictures, and descriptions are provided, some illustrations and text may include product options and accessories NOT AVAILABLE in all regions, and in some countries products and accessories may require modifications or additions to ensure compliance with the local regulations of those countries.



JOHN DEERE

JohnDeere.com/forestry

TO FIND SUCCESS IN THE FOREST,
YOU CAN WAIT FOR THE PERFECT SET OF CONDITIONS.
Or give yourself every advantage to create your own.
Productive machines. Innovative technology. Useful insights.
Dependable support.

The obstacles to success are many. John Deere helps you
OUTRUN™ THEM ALL.