



MODELS
RTF160P
RTF200P

Rough Terrain Forklifts

1 YEAR WARRANTY

1 Year Bumper-to-Bumper Warranty on all components. Extended warranty available. Ask us for details.

FLEXIBLE FINANCING

Custom financing solutions available to best suit your business. Ask us for details.



Challenging Terrain? Challenge it Back.

Move heavy loads with confidence, no matter where they need to go. The Rough Terrain Forklift (RTF) Series from Brandt is the strongest, safest machine in the yard.

① Productivity

These efficient units combine stability, maneuverability, and strength to finish the big jobs faster:

- Delivers up to 20,000 lb of payload, allowing you to move more material, faster.
- Wheel loader articulation offers superior maneuverability in tight situations or jobs requiring precision.
- All-wheel drive and outstanding ground clearance improve drivability and job performance even in the most challenging yard types.

② Reliability

The RTF Series delivers the power and comfort of a wheel loader and the peace-of-mind of a certified forklift:

- Co-engineered with John Deere and based on Deere's proven wheel loader platform.
- Solid-steel I-beam mast construction allows for years of heavy use without any worry of premature failure.
- Tines and mast ride on a wide-stance loader for unmatched lateral stability when handling robust loads and working on rough terrain.

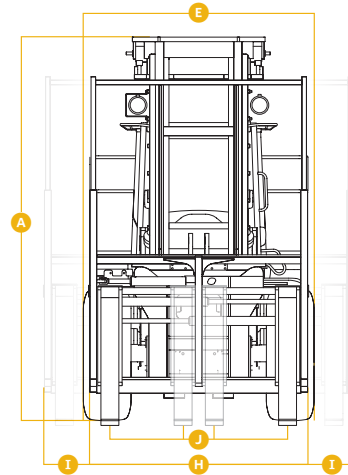
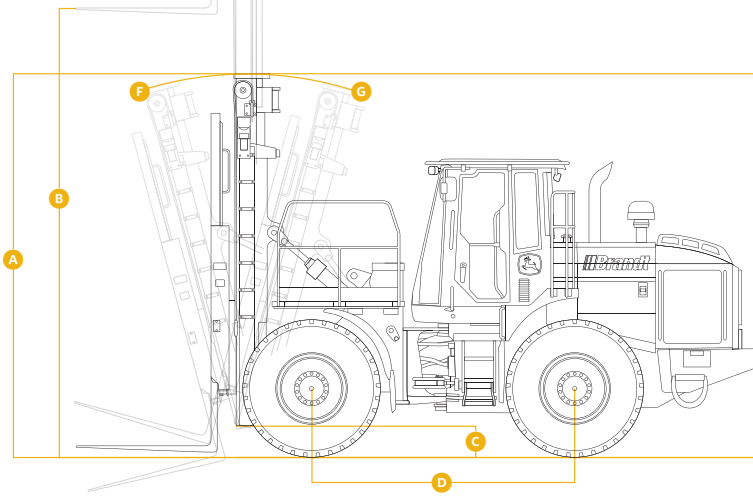
③ Safety

This rigorously-tested design is fully-certified to ANSI B56.6 standards, giving you demonstrably safer equipment:

- Superior stability, proven on a 5.7° longitudinal slope and a 21.8° lateral slope, maximizes safety on uneven terrain.
- High-durability forks deliver a minimum-yield strength of 825 MPa, allowing them to safely handle the heaviest loads.
- Rock-solid cab utilizes an integrated ANSI 56.6-certified ROPS structure to ensure superior operator protection.

Powerful Value. **Delivered.**

ROUGH TERRAIN FORKLIFT SPECIFICATIONS



SPEC	RTF160P	RTF200P
Mast	2-Stage Roller-Style	2-Stage Roller-Style
Capacity @ 24" Load Center	16,000 lb	20,000 lb
A Overall Height (Lowered)	147.1"	165.6"
B Maximum Lift Height	168"	194"
C Ground Clearance	12.1"	12.7"
D Wheelbase	115"	121"
E Total Width (Standard Tires)	8'4"	8'9"
F Tilt Forward	17°	15°
G Tilt Rearward	15°	15°
Mast Pivot Pins	2" Diameter	2" Diameter
H Carriage Outside Width	96"	96"
Carriage Backrest	Included	Included
I Total Side Shift	12"	18"
Fork Tine Dimensions	1.50" x 12.00"	2.25" x 8.00"
Fork Tine Length	48"	60"
Fork Tine Taper	Full Taper	Full Taper
ⓘ <i>Optional Fork Tine styles and sizes are available upon request.</i>		
J Fork Positioning (Independent LH/RH)	6" – 62"	7.25" – 87"
Net Peak Power	152 hp	192 hp
Net Peak Torque	504 lb ft	644 lb ft
Engine Manufacturer	John Deere	John Deere
Engine Model	PowerTech PVS 6068	PowerTech PVX 6068
Transmission Type	Powershift	Powershift
Tire Size – Standard	20.5 R25	20.5 R25

For more information:
 Call us at **1-844-3bucket (1-844-328-2538)**
 Email us at beslorderdesk@brandt.ca
 Or visit us at brandt.ca

Brandt Equipment Solutions
 PO Box 1876, 302 Mill Street
 Regina, SK, Canada
 S4P 3E1

