



T300 CABLE STEER POLE TRAILERS



INDUSTRY BEST WARRANTY

3 YEAR WARRANTY

1 Year Bumper-to-Bumper Warranty on all components. Extended warranty up to 3 years available at extra cost. *Ask us for details.*

FLEXIBLE FINANCING

Custom financing solutions available to best suit your business. *Ask us for details.*

Easy To Handle, Hard To Beat.

Brandt's Work Ready™ T300 Cable Steer Pole Trailer delivers increased uptime, low cost of operation, and higher productivity. It tracks with the pulling tractor to safely haul pipe down highways, rural roads, and off-road pipeline right of ways where conditions are variable; and it meets legal requirements across North America, so you can haul, string or stockpile large diameter pipe with ease.

① Easier to Own

This trailer is backed by the best support in the business to make ownership stress-free:

- Flexible purchasing options include rentals, rental purchasing, leasing, and conventional financing.
- Brandt's advanced paint protection looks better, lasts longer, and inhibits corrosion for longer trailer life and increased resale value.
- Reliable design and long-lasting components reduce total cost of ownership.

② Easier to Operate

The T300 pole trailer allows you to complete a variety of tasks with ease:

- The improved rear turntable positioning increases stability for the suspension, preventing the trailer from wandering.
- Three piece steering cable system allows the operator to simply remove a section to haul 60' loads, eliminating the need for a second set of cables.
- Three pin-setting options allow you to quickly configure the T300 Pole Trailer for 60' or 80' pipe lengths or closed for backhauling.

③ Safer

These trailers maximize your safety in all conditions, allowing you to work confidently:

- Boosted tractor brake signal and second booster valve with its own supply tank located at the front ensure superior brake application and release performance.
- The closed trailer length is reduced by 8.5" for safer backhauling.
- Six 3-bar winches with opposite j-hooks on the front and the rear – five on each end driver's side, one each on passenger side – enable quick and safe load securement.

Powerful Value. **Delivered.**



SPECIFICATIONS T300 TRAILER

BASE UNIT KEY SPECIFICATIONS

RELIABILITY - RATED CAPACITY	
Capacity	60,000 lb
Area Of Operation	Canada, US
Overall Length	67'6" Extended, 56' Mid Extension and 39'8" Collapsed
Running Gear Width	8'6"
Wheelbase	59'8" Extended, 48'2" Mid Extension and 31'11" Collapsed
Upper Coupler Height	48"
Steer System	3 Piece Cable System for 80' Length Steer Ratio (Bunks at 59'8"), Removable Cable for 60' Length Steer Ratio (Bunks at 48'2")
Load Securement	<ul style="list-style-type: none"> • 6 Welded 3-Bar Winches on Front Bunk • 6 Welded 3-Bar Winches on Rear Bunk • 2 Welded 3-Bar Winches on the Rear Pole for Tarp Securement
Landing Legs	Rigid Landing Leg on Both Sides of Trailer, Leg Storage on Each Side of Trailer
Suspension Capacity	(2) x Interaax AAT Large 5.75" Diameter 25,000 lb Axle
Axle Spacing	50"
Axle Capacity (Nominal)	25,000 lb per axle, Intraax
Hubs	Duralite, 75W90 Synthetic Gear Oil, 10-Stud
Air System	CMVSS Compliant, 2S2M ABS System, Weather Sealed, Illuminated Air Control Box Including Air Gauge and Dump Valve
Electrical System	CMVSS Compliant, LED Lighting, Bumper Mounted Strobes with Switch in Control Box, OEM Harness With Weatherproof Connectors and Braded Loom, Rear 7-way Socket for Auxiliary Lighting

AXLES		
Drum Brakes	16.5" x 7" Cast Drum, Auto-Slack Adj, Type 30/30 Spring Brakes, Rebound Limiter Chains	●
Disc Brakes	Wabco Pan22 Disc, Type 20/24 Spring Brakes, Rebound Limiter Chains	○
WHEELS		
Steel	8.25 x 24.5" Steel	●
Steel Inners Aluminum Outers	8.25 x 24.5" Polished Alum, Steel	○
Aluminum	8.25 x 24.5" Polished Alum	○
TIRES		
Standard Highway Tires	11R24.5	●
On/Off Road Tires	11R24.5 On/Off Road	○
PAINT		
Dark Grey Powder Coat	Sandblast, Zinc Primer, Dark Grey Polyester Powder Coat	●
Custom Powder Coat	Sandblast, Zinc Primer, Polyester Powder Coat	○
OPTIONS		
Storage Boxes	Bolted Storage Boxes, 1 on Front Driver's Side Fender, 2 on Rear Driver's Side Fender	
D-Sign	Aluminum Plate, Pin-On	
Oversize Sign	Aluminum Plate, Pin-On	
Hubometer	Hubometer on Center Axle	

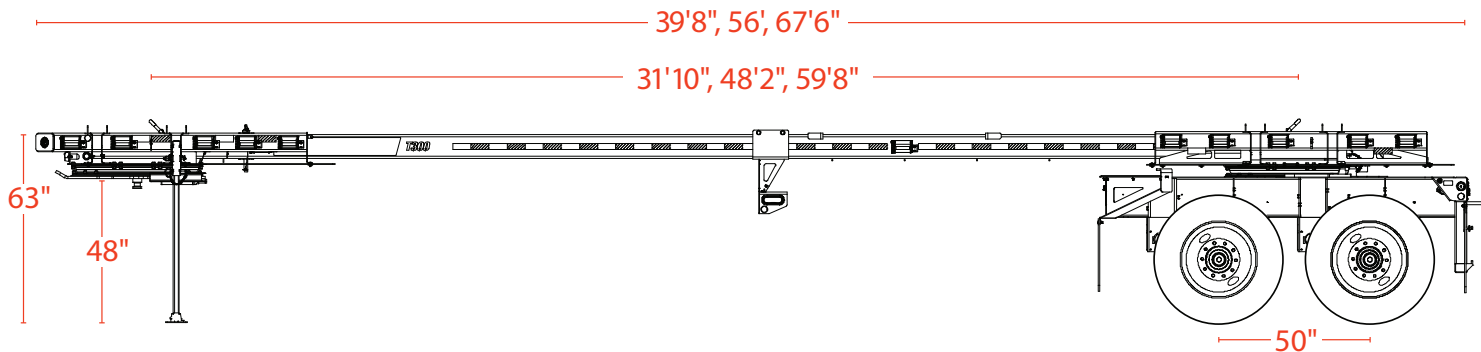
EASY TO OWN - PURCHASE OPTIONS

Cash	○
Rent or Lease*	○
Low Rate Lease*	○

PEACE OF MIND - WARRANTY

1 Year - Comprehensive Bumper to Bumper	●
2 Year - Comprehensive Bumper to Bumper	○
3 Year - Comprehensive Bumper to Bumper	○

HEAVY HAUL TRAILER DIMENSIONS



FEATURES

Low Tare Weight

Deliver superior payload capacity compared to competitors' models.

Bolt-On Corrosion-Resistant Aluminum Fenders

Last longer and are easily replaced if damaged. Full length at the front and rear of the trailer.

Intraax® Integrated Air Trailer Suspension

With a reputation for low maintenance and durability, Intraax costs less to operate over the long haul, and keeps your trailer on the road longer.

Sealed, Lit Control Box

Protects the controls from the elements and allows operators to see the controls easily in low lighting conditions.

Cable Wear Plate

Constructed of ultra-high-molecular-weight polyethylene; an extremely tough plastic with high abrasion and wear resistance.

Dual Steer Lock Pins

Hold the steering suspension straight when backhauling and are easily accessible.

Landing Legs Stored At The Point Of Use

Located on either side of the trailer for easy deployment. Built in smaller pieces they are easier to adjust

Telescopic Pole With 16% Greater Buckling Resistance

Lighter and stronger to keep your pole trailer running at top performance.

Optimized Cable Hanger Locations

Makes coiling and securing unused cable as well as air and electrical lines quicker and easier, especially when hauling 60' loads or backhauling closed.

Positive Steer-Stop Angle Limiter

Offers an extra level of security on top of the steer cables.