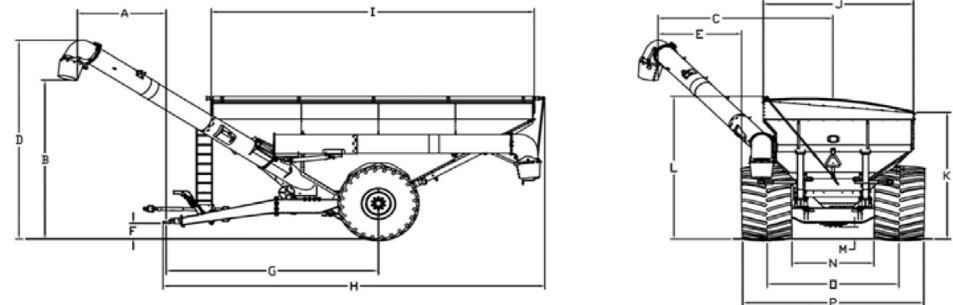


	820XT			1020XT			1120XT			1320XT		1520XT	
General													
Capacity ¹ (bushels)	850			1,000			1,100			1,300		1,500	
Unload Speed (bu/min)	600			600			600			600		600	
Minimum Horsepower	200			200			200			250		300	
Auger Diameter	20"			20"			20"			20"		20"	
Flighting	1/2" Extended Life			1/2" Extended Life			1/2" Extended Life			1/2" Extended Life		1/2" Extended Life	
4-Direction Spout Travel	Side to Side 136°, Fwd/Bkwd 37°			Side to Side 136°, Fwd/Bkwd 37°			Side to Side 136°, Fwd/Bkwd 37°			Side to Side 136°, Fwd/Bkwd 37°		Side to Side 136°, Fwd/Bkwd 37°	
Tank Slope Angles (Front/Rear)	33° / 33°			33° / 33°			33° / 33°			33° / 29°		33° / 29°	
Tank Slope Angles (Auger Side/Load Side)	45° / 46°			45° / 46°			45° / 46°			45° / 44°		45° / 44°	
Auger Reach²													
A - Forward of Hitch Point	8' 3"			8' 3"			8' 3"			8' 3"		8' 3"	
B - Minimum Upward Reach	13' 2"			13' 2"			13' 2"			13' 2"		13' 2"	
C - Side Reach From Centre Line	15' 8"			15' 8"			15' 8"			15' 8"		15' 8"	
Undercarriage													
	Flotation	Extreme Flotation	Brandt Tracks	Flotation	Extreme Flotation	Tracks	Flotation	Extreme Flotation	Tracks	Extreme Flotation	Tracks	Extreme Flotation	Tracks
Tire/Track size	IF900/60R32	IF1250/50R32	36" x 130"	IF900/60R32	IF1250/50R32	36" x 130"	IF900/60R32	IF1250/50R32	36" x 150"	IF1250/50R32	36" x 150"	IF1250/50R32	36" x 170"
Tire Load Index	188	201	n/a	188	201	n/a	188	201	n/a	201	n/a	201	n/a
Axle Spindle Diameter	4.5"	4.5"	5.5"	4.5"	4.5"	5.5"	4.5"	4.5"	5.5"	5.5"	5.5"	5.5"	5.5"
Loaded Surface Ground Pressure (psi)	44	24	10	49	26	11	53	38	10	34	12	39	12
Weight													
Empty (lb)	17,075	17,728	23,020	17,322	17,975	23,267	17,621	18,274	27,663	21,055	29,805	22,622	31,196
Tongue - Empty (lb)	2,300	2,300	2,300	2,300	2,300	2,300	2,300	2,300	2,300	2,500	2,500	2,500	2,500
Tongue - Full (lb)	5,300	5,300	5,300	6,600	6,600	6,600	7,000	7,000	7,000	7,000	7,000	7,250	7,250
Dimensions													
D - Overall Auger Height	18' 3"	18' 3"	18' 3"	18' 3"	18' 3"	18' 3"	18' 3"	18' 3"	18' 3"	18' 3"	18' 3"	18' 3"	18' 3"
E - Auger Side Reach From Undercarriage	8'11" - 7'7"	7' 8"	9'1" - 7'9"	8'11" - 7'7"	7' 8"	9'1" - 7'9"	8'11" - 7'7"	7' 8"	9'1" - 7'9"	7' 11"	9' 2"	7' 11"	9' 2"
F - Hitch Height	1' 6"	1' 6"	1' 6"	1' 6"	1' 6"	1' 6"	1' 6"	1' 6"	1' 6"	1' 6"	1' 6"	1' 6"	1' 6"
G - Axle To Tongue Length	18'	18'	18'	18'	18'	18'	18'	18'	18'	18'	18'	18'	18'
H - Overall Length	31' 9"	31' 9"	31' 9"	31' 9"	31' 9"	31' 9"	31' 9"	31' 9"	31' 9"	32' 4"	32' 4"	32' 4"	32' 4"
I - Hopper Length	23'	23'	23'	23'	23'	23'	23'	23'	23'	27' 1"	27' 1"	27' 1"	27' 1"
J - Hopper Width	9' 6"	9' 6"	9' 6"	12' 1.5"	12' 1.5"	12' 1.5"	12' 1.5"	12' 1.5"	12' 1.5"	12' 9"	12' 9"	12' 9"	12' 9"
K - Loading Side Height	11'	11'	11'	10' 10"	10' 10"	10' 10"	11' 3.5"	11' 3.5"	11' 3.5"	11' 1"	11' 1"	11' 8"	11' 8"
L - Transport Height	12'	12'	12'	12' 5"	12' 5"	12' 5"	12' 10.5"	12' 10.5"	12' 10.5"	12' 6"	12' 6"	13' 1"	13' 1"
M - Ground Clearance	1' 5"	1' 5"	1' 5"	1' 5"	1' 5"	1' 5"	1' 5"	1' 5"	1' 5"	1' 5"	1' 5"	1' 5"	1' 5"
N - Wheel Inside Width (adjustable axle)	7'1.5" - 9'9.5"	7' 10.5"	7'0" - 9'8"	7'1.5" - 9'9.5"	7' 10.5"	7'0" - 9'8"	7'1.5" - 9'9.5"	7' 10.5"	7'0" - 9'8"	7' 1"	7'	7' 1"	7'
O - Wheel Track Width (adjustable axle)	10'0" - 12'8"	12' 1"	10' - 12'8"	10'0" - 12'8"	12' 1"	10' - 12'8"	10'0" - 12'8"	12' 1"	10' - 12'8"	11' 3"	10'	11' 3"	10'
P - Wheel Outside Width (adjustable axle)	12'10" - 15'6"	16' 3.5"	13'0" - 15'8"	12'10" - 15'6"	16' 3.5"	13'0" - 15'8"	12'10" - 15'6"	16' 3.5"	13'0" - 15'8"	15' 6"	13'	15' 6"	13'

1 Bushel capacities measured with 56 lb. corn at 15% moisture.

2 Auger reach measured with auger spout straight down.



For more information

Call us at 1-866-4-BRANDT
 Email us at agriculture@brandt.ca
 Or visit us at www.brandt.ca

Brandt Agricultural Products

PO Box 317, 13th Avenue & Pinkie Road
 Regina, SK, Canada
 S4P 3A1