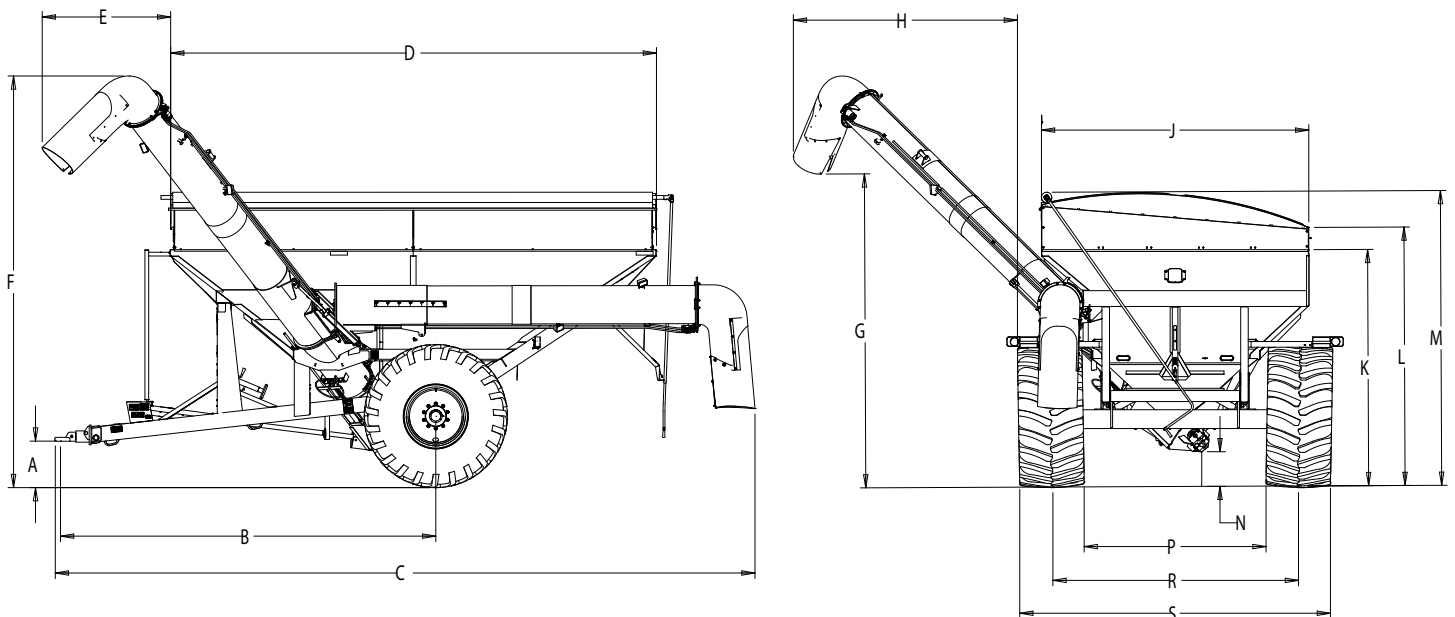


GrainCarts	820XT		1020XT		1120XT		1320XT		1520XT	
Performance										
Capacity ¹ (bushels)	850		1,000		1,100		1,300		1,500	
Unload Speed (bu/min)	600		600		600		600		600	
Minimum Horsepower	200		200		200		250		300	
General										
Auger Size	20"		20"		20"		20"		20"	
Flighting	1/2" Extended Life		1/2" Extended Life		1/2" Extended Life		1/2" Extended Life		1/2" Extended Life	
Discharge Travel	Side to Side 136°, Fwd/Bkwd 37°		Side to Side 136°, Fwd/Bkwd 37°		Side to Side 136°, Fwd/Bkwd 37°		Side to Side 136°, Fwd/Bkwd 37°		Side to Side 136°, Fwd/Bkwd 37°	
Undercarriage										
	Tires	Tracks	Tires	Tracks	Tires	Tracks	Tires	Tracks	Tires	Tracks
Tire/Track size	IF900/60R32	36" x 130"	IF900/60R32	36" x 130"	IF900/60R32	36" x 150"	IF1250/50R32	36" x 150"	IF1250/50R32	36" x 170"
Tire Load Index	188	n/a	188	n/a	188	n/a	201	n/a	201	n/a
Axle Spindle Diameter	4.5"	5.5"	4.5"	5.5"	4.5"	5.5"	5.5"	5.5"	5.5"	5.5"
Loaded Surface Ground Pressure (psi)	44	10.3	49	11.4	53	10.3	34	12.4	39	11.8
Weight										
Empty	15,556lb	21,628lb	15,706lb	21,778lb	15,868lb	26,056lb	19,400lb	33,950lb	19,500lb	36,100lb
Tongue - Empty	2,300lb	2,300lb	2,300lb	2,300lb	2,300lb	2,300lb	2,500lb	2,500lb	2,500lb	2,500lb
Tongue - Full	5,300lb	5,300lb	6,600lb	6,600lb	7,000lb	7,000lb	7,000lb	7,000lb	7,250lb	7,250lb
Dimensions										
A - Hitch Height	1' 6"	1' 6"	1' 6"	1' 6"	1' 6"	1' 6"	1' 6"	1' 6"	1' 6"	1' 6"
B - Axle to Tongue Length	18'	18'	18'	18'	18'	18'	18'	18'	18'	18'
C - Overall Length	31' 9"	31' 9"	31' 9"	31' 9"	31' 9"	31' 9"	32' 4"	32' 4"	32' 4"	32' 4"
D - Hopper Length	23'	23'	23'	23'	23'	23'	27' 1"	27' 1"	27' 1"	27' 1"
E - Auger Forward Reach	8' 3"	8' 3"	8' 3"	8' 3"	8' 3"	8' 3"	8' 3"	8' 3"	8' 3"	8' 3"
F - Auger Unload Height	18' 3"	18' 3"	18' 3"	18' 3"	18' 3"	18' 3"	18' 3"	18' 3"	18' 3"	18' 3"
G - Discharge Height	13' 2"	13' 2"	13' 2"	13' 2"	13' 2"	13' 2"	13' 2"	13' 2"	13' 2"	13' 2"
H - Auger Reach	15' 8"	15' 8"	15' 8"	15' 8"	15' 8"	15' 8"	15' 8"	15' 8"	15' 8"	15' 8"
J - Overall Width	9' 6"	9' 6"	12' 1.5"	12' 1.5"	12' 1.5"	12' 1.5"	12' 9"	12' 9"	12' 9"	12' 9"
K - Minimum Hopper Height	11'	11'	10' 10"	10' 10"	11' 3.5"	11' 3.5"	11' 1"	11' 1"	11' 8"	11' 8"
L - Loading Side Height	11'	11'	10' 10"	10' 10"	11' 3.5"	11' 3.5"	11' 1"	11' 1"	11' 8"	11' 8"
M - Transport Height	12'	12'	12' 5"	12' 5"	12' 10.5"	12' 10.5"	12' 6"	12' 6"	13' 1"	13' 1"
N - Ground Clearance	1' 5"	1' 5"	1' 5"	1' 5"	1' 5"	1' 5"	1' 5"	1' 5"	1' 5"	1' 5"
P - Wheel Inside Width	7'1.5" - 9'9.5"	7' - 9'8"	7'1.5" - 9'9.5"	7' - 9'8"	7'1.5" - 9'9.5"	7' - 9'8"	7'1"	7'	7'1"	7'
R - Wheel Track Width	10' - 12'8"	10' - 12'8"	10' - 12'8"	10' - 12'8"	10' - 12'8"	10' - 12'8"	11'3"	10'	11'3"	10'
S - Wheel Outside Width	12'10" - 15' 6"	13' - 15'8"	12'10" - 15' 6"	13' - 15'8"	12'10" - 15' 6"	13' - 15'8"	15' 6"	13'	15' 6"	13'

GrainCart Dimensions



¹ Bushel capacities measured with 56 lb. corn at 15% moisture.

Product specifications and configuration are subject to change without prior notice. Before ordering, please ask your Brandt dealer for the latest information. The manufacturer reserves the right to make changes at any time, without notice, to prices, specification and models.

GrainCarts	1122DXR			1522DXR		2022DXR	
Performance							
Capacity ¹ (bushels)	1,150			1,500		2,000	
Unload Speed (bu/min)	800			800		800	
Minimum Horsepower	225+			300+		400+	
General							
Auger Size	20" Horiz. into 22" Vert.			20" Horiz. into 22" Vert.		20" Horiz. into 22" Vert.	
Flighting	1/2" Extended Life			1/2" Extended Life		1/2" Extended Life	
Discharge Travel	91°			91°		91°	
Undercarriage							
	High Flotation	Extreme Flotation	Tracks	Tandem	Tracks	Tandem	Tracks
Tire/Track size	LSW1100/45R46	IF1250/50R32	36" x 136"	900/60R32	36" x 147"	IF900/60R32	36" x 170"
Tire Load Index	195	201	n/a	185	n/a	188-A8	n/a
Axle Spindle Diameter	5.5"	5.5"	5.5"	3.75"	5.5"	4.5"	5.5"
Loaded Surface Ground Pressure (psi)	37	33	13	47	14	41	15
Weight							
Empty	19,500lb	20,000lb	29,500lb	29,000lb	31,500lb	30,780lb	33,700lb
Tongue - Empty	3,600lb	3,600lb	3,600lb	3,900lb	3,900lb	4,340lb	4,340lb
Tongue - Full	5,200lb	5,200lb	5,200lb	5,700lb	5,700lb	5,175lb	5,175lb
Dimensions							
A - Hitch Height	1'4" - 1'9"	1'4" - 1'9"	1'4" - 1'9"	1'4" - 1'9"	1'4" - 1'9"	1'4" - 1'9"	1'4" - 1'9"
B - Axle to Tongue Length	18' 3"	18' 3"	18' 3"	21'	21'	22' 4"	22' 4"
C - Overall Length	27' 7"	27' 7"	27' 7"	33'	33'	36'	36'
D - Hopper Length	18' 4"	18' 4"	18' 4"	24'	24'	27' 5"	27' 5"
E - Auger Forward Reach	n/a	n/a	n/a	n/a	n/a	n/a	n/a
F - Auger Unload Height	n/a	n/a	n/a	n/a	n/a	n/a	n/a
G - Discharge Height	9'10" - 16'11"	9'7" - 16'8"	9'5" - 16'6"	9'5" - 16'6"	9'5" - 16'6"	9'9" - 16'10"	9'9" - 16'10"
H - Auger Reach	5'3" - 9'3"	5'5" - 9'5"	5'3" - 9'3"	5'3" - 9'3"	5'3" - 9'3"	5'3" - 9'3"	5'3" - 9'3"
J - Overall Width	13' 2"	13' 5"	12' 9"	12' 9"	12' 9"	13' 11"	13' 11"
K - Min. Hopper Height	11' 5"	11' 2"	11'	11'	11'	11' 6"	11' 6"
L - Loading Side Height	11' 5"	11' 2"	11'	11'	11'	11' 6"	11' 6"
M - Transport Height	12' 11"	12' 8"	12' 6"	12' 6"	12' 6"	12' 6"	12' 6"
N - Ground Clearance	1' 6"	1' 2"	1' 2"	10"	1' 2"	1' 2"	1' 2"
P - Wheel Inside Width	5' 11"	5' 5"	6' 2"	7' 6"	6' 2"	7' 5"	6' 10"
R - Wheel Track Width	9' 6"	9' 6"	9' 2"	10' 5"	9' 2"	10' 6"	9' 10"
S - Wheel Outside Width	13' 2"	13' 8"	12' 2"	13' 3"	12' 2"	13' 7"	12' 10"

Contact us for more information
or to arrange a demonstration

Brandt Agricultural Products Ltd

Canada

13th Ave and Pinkie Rd
Regina, Saskatchewan
Canada S4P 3A1

USA

19500 N., 1425 East Rd
Hudson, Illinois
USA 61748

Toll: 1-866-427-2638

Phone: 1-306-525-1314

Email: agriculture@brandt.ca

Website: brandt.ca

Visit brandt.ca for a list of local Brandt equipment dealers.

