

2656G



Engine	2656G Valve-in-Head (VIH) Log Loader / Live-Heel Log Loader	
	U.S., U.S. Territories	Rest of World (ROW)
Manufacturer and Model	John Deere PowerTech™ PVS 6.8 L	John Deere PowerTech™ Plus 6.8 L
Non-Road Emission Standards	EPA Final Tier 4/EU Stage IV	EPA Tier 3/EU Stage IIIA
Net Rated Power (ISO 9249)	145 kW (194 hp) at 2,100 rpm	145 kW (194 hp) at 2,100 rpm
Cylinders	6	6
Engine Displacement	6.8 L (415 cu. in.)	6.8 L (415 cu. in.)
Off-Level Capacity	70% (35 deg.)	70% (35 deg.)
Aspiration	Turbocharged, air-to-air charge-air cooler	Turbocharged, air-to-air charge-air cooler
Oil Filter, Remote Mounted	Full-flow spin-on filter	Full-flow spin-on filter
Cooling		
Fan Drive	Cool-on-demand hydraulic-driven, suction-type fan remote-mounted drive w/ optional reversing fan	
Powertrain		
2-speed propel with automatic shift		
Maximum Travel Speed		
Low	2.9 km/h (1.8 mph)	
High	4.7 km/h (2.9 mph)	
Drawbar Pull	25 435 kgf (56,075 lbf)	
Hydraulics		
Open center, pilot operated		
Main Pumps	2 variable-displacement pumps	
Maximum Rated Flow x 2	248 L/m (65.5 gpm)	
System Operating Pressure		
Implement Circuits	34 300 kPa (4,975 psi)	
Power Boost	38 000 kPa (5,511 psi)	
Controls	Pilot levers; short-stroke, low-effort hydraulic pilot with shutoff lever	
Electrical		
	<i>EPA Final Tier 4/EU Stage IV</i>	<i>EPA Tier 3/EU Stage IIIA</i>
System Voltage	24 volt	24 volt
Alternator Rating	150 amp	130 amp
Lights		
Work	5 halogen: 3 cab front and 2 right-hand front log deflector standard / 14 LEDs optional	
Access (optional)	1 LED (rear right cab)	
Service	5 LEDs (compartment and engine hood)	
Undercarriage		
	2.79-m (9 ft. 2 in.) LC	
Rollers (per side)		
Carrier	2	
Track	9	
Shoes, Double Grousers (per side)	48	
Undercarriage Pitch	216 mm (8.5 in.)	

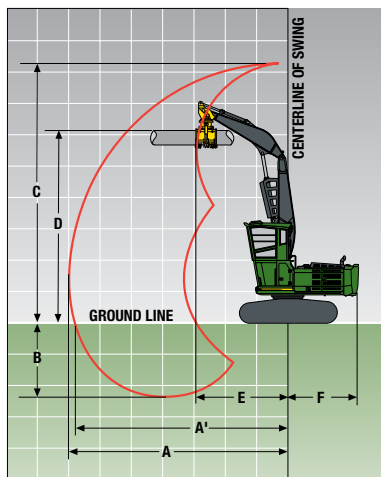


2656G VIH Log Loader		2656G Live-Heel Log Loader	
Ground Pressure	2.79-m (9 ft. 2 in.) LC	2.79-m (9 ft. 2 in.) LC	
Undercarriage	2.79-m (9 ft. 2 in.) LC	2.79-m (9 ft. 2 in.) LC	
700-mm (28 in.) Double-Grouser Shoes	60.7 kPa (8.80 psi)	61.3 kPa (8.89 psi)	
Swing Mechanism	2656G VIH Log Loader / Live-Heel Log Loader		
Swing Speed	10.6 rpm		
Swing Torque	107 869 Nm (79,560 lb.-ft.)		
Operator's Station			
Operator Height from Ground (eye level)			
Side-Entry Forestry Cab	3085 mm (10 ft. 2 in.)		
Rear-Entry Log Loader Cab	4432 mm (14 ft. 6 in.)		
Serviceability			
Refill Capacities			
Fuel Tank	800.0 L (211 gal.)		
Cooling System	23.0 L (6.0 gal.)		
Diesel Exhaust Fluid (DEF) Tank (FT4)	42.4 L (11.2 gal.)		
Engine Crankcase (including filter)	20.0 L (20.6 qt.)		
Hydraulic Tank Oil	136.0 L (36.0 gal.)		
Operating Weights		2656G Live-Heel Log Loader	
With full fuel tank, 79-kg (175 lb.) operator, rear-entry forestry cab, 5100-kg (11,240 lb.) counterweight, 700-mm (28 in.) double-grouser shoes, FT4 engine, and 2.79-m (9 ft. 2 in.) LC undercarriage; no attachment included			
	<i>EPA Final Tier 4/EU Stage IV</i>	<i>EPA Tier 3/EU Stage IIIA</i>	<i>EPA Final Tier 4/EU Stage IV</i> <i>EPA Tier 3/EU Stage IIIA</i>
SAE Operating Weight	35 925 kg (79,200 lb.)	35 698 kg (78,700 lb.)	36 252 kg (79,922 lb.) 36 025 kg (79,422 lb.)
Optional Components (add weight)			
Side-Entry Cab	-671 kg (1,480 lb.)		-671 kg (1,480 lb.)
Rear-Entry Cab Forward	68 kg (150 lb.)		68 kg (150 lb.)
Operating Dimensions			
With 700-mm (28 in.) shoes, 5100-kg (11,240 lb.) counterweight, full fuel tank, 79-kg (175 lb.) operator, and standard equipment			
	<i>4.39-m (14 ft. 5 in.) VIH Log Loader Arm</i>		<i>4.10-m (13 ft. 5 in.) Live-Heel Log Loader Arm</i>
A Maximum Reach	10.67 m (35 ft. 0 in.)		11.71 m (38 ft. 5 in.)
A' Maximum Reach at Ground Level	10.44 m (34 ft. 3 in.)		11.48 m (37 ft. 8 in.)
B Maximum Working Depth	3.63 m (11 ft. 11 in.)		4.78 m (15 ft. 8 in.)
C Maximum Working Height	12.78 m (41 ft. 11 in.)		13.79 m (45 ft. 3 in.)
D Maximum Log-Level Height	9.98 m (32 ft. 9 in.)*		9.64 m (31 ft. 8 in.) [†]
E Minimum Swing Radius	4.47 m (14 ft. 8 in.)		4.57 m (15 ft. 0 in.)
F Tail Swing Radius	3.15 m (10 ft. 4 in.)		3.15 m (10 ft. 4 in.)

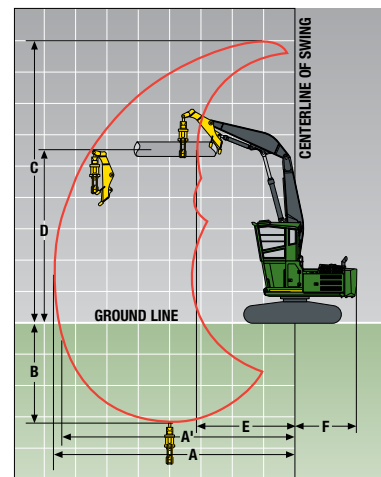
*Attachment dependent.

[†]Log resting on heel rack front plate.

2656G VIH Log Loader



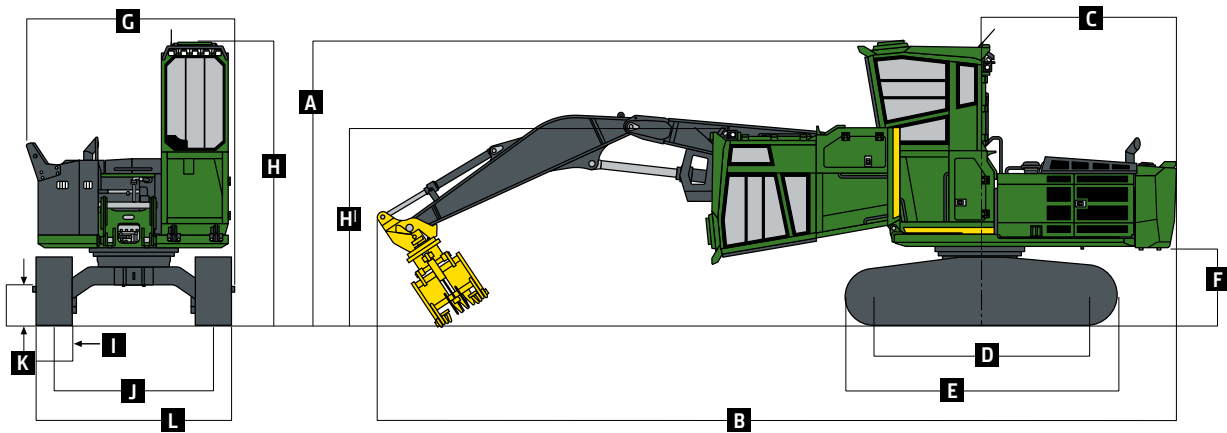
2656G Live-Heel Log Loader



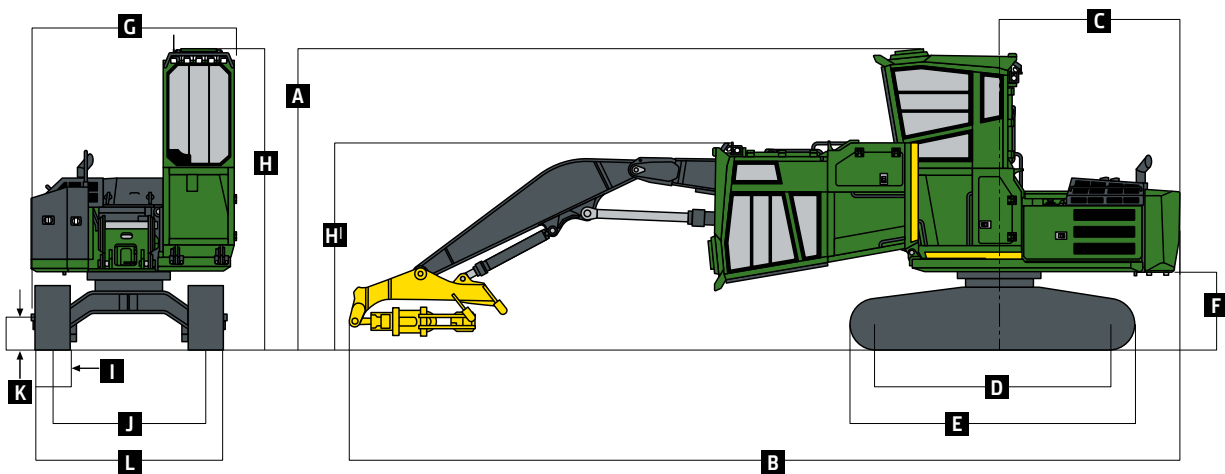
2656G

Machine Dimensions	2656G VIH Log Loader	2656G Live-Heel Log Loader
A Height (rear-entry cab)	3.76 m (12 ft. 4 in.)	3.76 m (12 ft. 4 in.)
B Overall Length	14.25 m (46 ft. 9 in.)	14.15 m (46 ft. 5 in.)
C Rear-End Length / Swing Radius	3.15 m (10 ft. 4 in.)	3.15 m (10 ft. 4 in.)
D Distance Between Idler / Sprocket Centerline	4.06 m (13 ft. 4 in.)	4.06 m (13 ft. 4 in.)
E Undercarriage Length	5.03 m (16 ft. 6 in.)	5.03 m (16 ft. 6 in.)
F Counterweight Clearance	1.45 m (4 ft. 9 in.)	1.45 m (4 ft. 9 in.)
G Upperstructure Width	3.38 m (11 ft. 1 in.)	3.38 m (11 ft. 1 in.)
H Cab Height (rear-entry cab)	5.18 m (17 ft. 0 in.)	5.18 m (17 ft. 0 in.)
H ^I Tilted Cab Height (rear-entry cab)	3.76 m (12 ft. 4 in.)	3.76 m (12 ft. 4 in.)
I Track Width with 700-mm (28 in.) Double-Grouser Shoes	0.71 m (28 in.)	0.71 m (28 in.)
J Center of Sprocket to Center of Sprocket	2.79 m (9 ft. 2 in.)	2.79 m (9 ft. 2 in.)
K Ground Clearance	0.76 m (30 in.)	0.76 m (30 in.)
L Undercarriage Width with 700-mm (28 in.) Double-Grouser Shoes	3.53 m (11 ft. 6 in.)	3.53 m (11 ft. 6 in.)

2656G VIH Log Loader



2656G Live-Heel Log Loader



Attachment weight is not included when calculating the lift capacities.

2656G

Boldface type indicates hydraulic-limited capacities with power boost; **lightface** type indicates stability-limited capacities, in kg (lb.).
 Figures do not exceed 87 percent of hydraulic capacities or 75 percent of weight needed to tip machine.

Lift Capacity — 2656G VIH Log Loader with 2.79-m (9 ft. 2 in.) LC undercarriage and 700-mm (28 in.) shoes; bare pin												
Load Point Height	3.1 m (10 ft.)		4.6 m (15 ft.)		6.1 m (20 ft.)		7.6 m (25 ft.)		9.1 m (30 ft.)		10.7 m (35 ft.)	
	Over Front	Over Side	Over Front	Over Side	Over Front	Over Side	Over Front	Over Side	Over Front	Over Side	Over Front	Over Side
12.2 m (40 ft.)	17 930	17 930										
	(39,530)	(39,530)										
10.7 m (35 ft.)			11 400	11 400	10 700	9810						
			(25,130)	(25,130)	(22,190)	(21,630)						
9.1 m (30 ft.)			10 570	10 570	9260	9260	8410	6960				
			(23,290)	(23,290)	(20,420)	(20,420)	(18,530)	(15,340)				
7.6 m (25 ft.)			10 570	10 570	9200	9200	8190	7080	7350	5090		
			(23,300)	(23,300)	(20,270)	(20,270)	(18,050)	(15,590)	(16,200)	(11,220)		
6.1 m (20 ft.)			11 370	11 370	9580	9580	8310	7000	7290	5170		
			(25,060)	(25,060)	(21,120)	(21,120)	(18,320)	(15,430)	(16,060)	(11,400)		
4.6 m (15 ft.)					10 280	9660	8600	6820	7330	5100		
					(22,660)	(21,300)	(18,950)	(15,030)	(16,160)	(11,250)		
3.1 m (10 ft.)					11 030	9190	8890	6580	7300	4990		
					(24,310)	(20,260)	(19,590)	(14,500)	(16,090)	(11,000)		
1.5 m (5 ft.)					11 430	8740	8960	6340	7170	4870		
					(25,190)	(19,260)	(19,750)	(13,980)	(15,800)	(10,740)		
Ground Line					11 120	8420	8590	6170	6620	4790		
					(24,510)	(18,560)	(18,940)	(13,590)	(14,580)	(10,550)		
-1.5 m (-5 ft.)			12 960	12 610	9900	8270	7560	6080	5370	4770		
			(28,570)	(27,800)	(21,810)	(18,230)	(16,660)	(13,400)	(11,830)	(10,510)		
-3.1 m (-10 ft.)			9630	9630	7600	7600	5550	5550				
			(21,220)	(21,220)	(16,750)	(16,750)	(12,230)	(12,230)				

Lift Capacity — 2656G Live-Heel Log Loader with 2.79-m (9 ft. 2 in.) LC undercarriage and 700-mm (28 in.) shoes; bare pin												
Load Point Height	3.1 m (10 ft.)		4.6 m (15 ft.)		6.1 m (20 ft.)		7.6 m (25 ft.)		9.1 m (30 ft.)		10.7 m (35 ft.)	
	Over Front	Over Side	Over Front	Over Side	Over Front	Over Side	Over Front	Over Side	Over Front	Over Side	Over Front	Over Side
12.2 m (40 ft.)	14 890	14 890	11 780	11 780								
	(32,810)	(32,810)	(25,960)	(25,960)								
10.7 m (35 ft.)			9780	9780	8480	8480	7540	6610				
			(21,560)	(21,560)	(18,680)	(18,680)	(16,610)	(14,570)				
9.1 m (30 ft.)					8010	8010	7170	6350	6490	4750		
					(17,660)	(17,660)	(15,810)	(14,000)	(14,310)	(10,480)		
7.6 m (25 ft.)					8170	8170	7160	6530	6300	4480		
					(18,000)	(18,000)	(15,770)	(14,390)	(13,890)	(9,870)		
6.1 m (20 ft.)					8630	8630	7370	6550	6370	4580	5390	3520
					(19,020)	(19,020)	(16,250)	(14,430)	(14,040)	(10,090)	(11,870)	(7,760)
4.6 m (15 ft.)					9020	9020	7760	6390	6510	4550	5370	3510
					(19,890)	(19,890)	(17,110)	(14,090)	(14,350)	(10,020)	(11,840)	(7,740)
3.1 m (10 ft.)					9730	9150	8140	6170	6630	4510	5300	3440
					(21,440)	(20,170)	(17,930)	(13,600)	(14,610)	(9,940)	(11,680)	(7,590)
1.5 m (5 ft.)					10 460	8530	8320	5910	6640	4410	5210	3360
					(23,060)	(18,790)	(18,340)	(13,020)	(14,630)	(9,730)	(11,490)	(7,400)
Ground Line					10 710	8050	8200	5720	6500	4270	4780	3280
					(23,600)	(17,750)	(18,080)	(12,610)	(14,330)	(9,410)	(10,540)	(7,240)
-1.5 m (-5 ft.)			13 670	11 860	10 030	7700	7780	5570	6170	4180	3720	3270
			(30,120)	(26,150)	(22,110)	(16,960)	(17,140)	(12,270)	(13,600)	(9,220)	(8,190)	(7,210)
-3.1 m (-10 ft.)	7490	7490	11 290	11 290	8470	8470	6720	5540	4360	4140		
	(16,510)	(16,510)	(24,880)	(24,880)	(18,670)	(18,670)	(14,810)	(12,200)	(9,620)	(9,130)		
-4.6 m (-15 ft.)			7520	7520	5800	5800	3980	3980				
			(16,570)	(16,570)	(12,790)	(12,790)	(8,780)	(8,780)				