

# 903M/909M/953M/959M

Engine	903M/909M		953M/ 959M		
Manufacturer and Model	John Deere PowerTech™ Plus 6090H		John Deere PowerTech Plus 6090H		
Non-Road Emission Standard	EPA Tier 3/EU Stage IIIA		EPA Tier 3/EU Stage IIIA		
Cylinders	6		6		
Displacement	9.0 L (549 cu. in.)		9.0 L (549 cu. in.)		
<b>Standard Engine</b>					
Peak Power at 1,900 rpm	224 kW (300 hp)		246 kW (330 hp)		
Rated Power at 2,000 rpm	213 kW (286 hp)		230 kW (308 hp)		
Net Peak Torque at 1,500 rpm	1270 Nm (937 lb.-ft.)		1392 Nm (1,027 lb.-ft.)		
<b>Optional Engine</b>					
Peak Power at 1,900 rpm	246 kW (330 hp)		N/A		
Rated Power at 2,000 rpm	230 kW (308 hp)		N/A		
Net Peak Torque at 1,500 rpm	1392 Nm (1027 lb.-ft.)		N/A		
<b>Cooling</b>					
<b>903M/909M/953M/959M</b>					
Fan Type	Suction type, hydraulically driven, variable speed, reversing				
<b>Hydraulics</b>					
Closed center, load sense, pressure compensated					
<b>Main Pump</b>					
Variable-displacement axial piston					
Maximum Rated Flow	494 L/min. (131 gpm)				
<b>Continuous Saw Pump</b>					
Dedicated variable-displacement axial piston					
Maximum Rated Flow	135 L/min. (36 gpm)				
<b>Attachment Pump</b>					
Dedicated variable-displacement axial piston					
Maximum Rated Flow	135 L/min. (36 gpm)				
Oil Filtration	2 main return filters, 10-micron return with bypass, one case drain strainer, 25 micron				
<b>Electrical</b>					
Voltage	24 volt				
Number of Batteries	2 x 12 volt				
<b>Alternator Rating</b>					
Standard	100 amp				
Optional	130 amp				
<b>Work Lights</b>					
Standard	Halogen (12)				
Optional	LED (12)				
Service Lights	Halogen (3)				
<b>Undercarriage</b>					
<b>903M                      909M                      953M                      959M</b>					
Integral track guides, thick high-abrasion-resistant material, ramp angles, hydraulic track adjustment					
Size	U7 HD	U7L HD (standard)	U7L EXD (optional)	U7 HD	U7L EXD
Track Chain	215.9 mm (8.5 in.)	215.9 mm (8.5 in.)	215.9 mm (8.5 in.)	215.9 mm (8.5 in.)	215.9 mm (8.5 in.)
Number of Track Links (per side)	47	47	47	47	47
Lower Rollers (per side)	9	10	10	9	10
Carrier Slides / Rollers (per side)	2	2	2	2	2
<b>Travel Performance</b>					
Travel Speed, Forward and Reverse					
High	4.2 km/h (2.6 mph)	4.2 km/h (2.6 mph)	3.6 km/h (2.2 mph)	4.2 km/h (2.6 mph)	3.6 km/h (2.2 mph)
Low	2.1 km/h (1.3 mph)	2.1 km/h (1.3 mph)	1.7 km/h (1.0 mph)	2.1 km/h (1.3 mph)	1.7 km/h (1.0 mph)
Tractive Effort	322 kN (72,300 lbf)	322 kN (72,300 lbf)	373 kN (83,880 lbf)	322 kN (72,300 lbf)	373 kN (83,880 lbf)
<b>Rotating Upper</b>					
<b>Swing System</b>					
Swing Speed (maximum)	6.7 rpm	6.7 rpm	4.8 rpm	4.8 rpm	4.8 rpm
Swing Torque	80 170 Nm (59,130 lb.-ft.)	80 170 Nm (59,130 lb.-ft.)	110 170 Nm (81,260 lb.-ft.)	110 170 Nm (81,260 lb.-ft.)	110 170 Nm (81,260 lb.-ft.)
Swing Brake	Sealed wet multi-disc, manually applied/released				
<b>Serviceability</b>					
<b>903M/909M/953M/959M</b>					
Fuel Tank	1080 L (285 gal.)				

Machine not exactly as shown. Illustrations for dimensioning purposes only. Specifications are subject to change without notice.

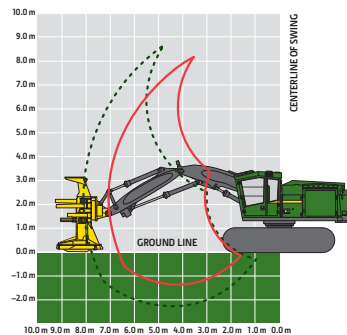


Ground Pressure (SAE J1309, less attachment)	903M	909M	953M	959M	
Undercarriage	U7 HD	U7L HD (standard)	U7L EXD (optional)	U7L EXD	
Double Grouser					
610 mm (24 in.)	60.5 kPa (8.8 psi)	70.5 kPa (10.2 psi)	71.0 kPa (10.3 psi)	63.6 kPa (9.2 psi)	72.6 kPa (10.5 psi)
762 mm (30 in.)	49.5 kPa (7.2 psi)	N/A	N/A	52.0 kPa (7.5 psi)	N/A
Single Grouser					
610 mm (24 in.)	60.4 kPa (8.8 psi)	70.4 kPa (10.2 psi)	70.9 kPa (10.3 psi)	63.5 kPa (9.2 psi)	72.4 kPa (10.5 psi)
711 mm (28 in.)	52.6 kPa (7.6 psi)	61.1 kPa (8.9 psi)	61.6 kPa (8.9 psi)	55.2 kPa (8.0 psi)	62.9 kPa (9.1 psi)
Triple Grouser (soft terrain only)					
914 mm (36 in.)	42.2 kPa (6.1 psi)	N/A	N/A	44.2 kPa (6.4 psi)	N/A

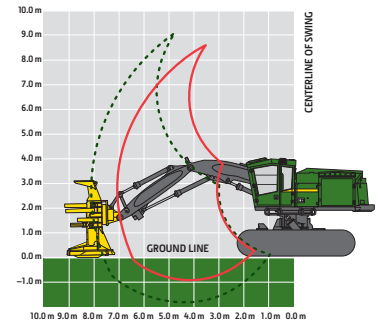
Operating Weight					
Includes standard equipment, 610-mm (24 in.) double-grouser tracks, half-full fuel tank, and all fluids, less attachment					
Undercarriage	U7 HD	U7L HD (standard)	U7L EXD (optional)	U7 HD	U7L EXD
Approximate Weight — Base Machine	31 590 kg (69,660 lb.)	36 660 kg (80,840 lb.)	36 920 kg (81,410 lb.)	33 210 kg (73,230 lb.)	37 740 kg (83,220 lb.)

Boom Performance						
<b>7.01-m Reach</b>	With FR22B		With FR22B		With FR24B	With FR24B
Maximum Reach (to tip of saw blade)	8.88 m (29 ft. 1 in.)		8.88 m (29 ft. 1 in.)		8.88 m (29 ft. 1 in.)	8.88 m (29 ft. 1 in.)
Minimum Reach (to tip of saw blade)	4.87 m (15 ft. 11 in.)		4.87 m (15 ft. 11 in.)		4.87 m (15 ft. 11 in.)	4.87 m (15 ft. 11 in.)
Cutting Swath	4.01 m (13 ft. 2 in.)		4.01 m (13 ft. 2 in.)		4.01 m (13 ft. 2 in.)	4.01 m (13 ft. 2 in.)
Lift Option	<i>Standard</i>	<i>High Lift</i>	<i>Standard</i>	<i>High Lift</i>	<i>Power</i>	<i>Power</i>
Lift Capacity, Bare Pin at Full Reach	5890 kg (12,990 lb.)	7260 kg (16,010 lb.)	5890 kg (12,990 lb.)	7260 kg (16,010 lb.)	7970 kg (17,570 lb.)	7970 kg (17,570 lb.)
Lift Capacity, Bare Pin at 6.1 m (20 ft.)	7680 kg (16,930 lb.)	9370 kg (20,660 lb.)	7680 kg (16,930 lb.)	9370 kg (20,660 lb.)	10 260 kg (22,620 lb.)	10 260 kg (22,620 lb.)
<b>8.08-m Reach</b>	With FR21B		With FR21B		N/A	N/A
Maximum Reach (to tip of saw blade)	9.82 m (32 ft. 3 in.)		9.82 m (32 ft. 3 in.)		N/A	N/A
Minimum Reach (to tip of saw blade)	4.64 m (15 ft. 3 in.)		4.64 m (15 ft. 3 in.)		N/A	N/A
Cutting Swath	5.18 m (17 ft. 0 in.)		5.18 m (17 ft. 0 in.)		N/A	N/A
Lift Option	<i>Standard</i>		<i>Standard</i>		N/A	N/A
Lift Capacity, Bare Pin at Full Reach	4890 kg (10,780 lb.)		4890 kg (10,780 lb.)		N/A	N/A
Lift Capacity, Bare Pin at 6.1 m (20 ft.)	7470 kg (16,470 lb.)		7470 kg (16,470 lb.)		N/A	N/A

903M and 953M Tracked Feller Bunchers



909M and 959M Tracked Feller Bunchers

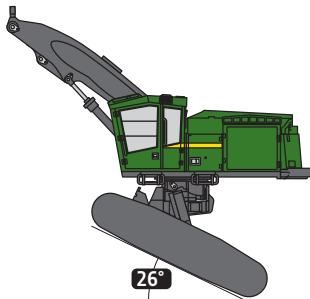


Attachment Information				
Attachment	FR21B (8.08-m boom only)	FS22B (7.01-m boom only)	FR22B (7.01-m boom only)	FR24B
Models	903M, 909M	903M, 909M	903M, 909M	953M, 959M
Maximum Cutting Capacity	545 mm (21.5 in.)	559 mm (22.0 in.)	559 mm (22.0 in.)	622 mm (24.5 in.)
Maximum Accumulation Capacity	0.46 m <sup>2</sup> (5.0 sq. ft.)	0.48 m <sup>2</sup> (5.2 sq. ft.)	0.48 m <sup>2</sup> (5.2 sq. ft.)	0.60 m <sup>2</sup> (6.4 sq. ft.)
Opening at Front of Housing	1180 mm (46.5 in.)	1280 mm (50.4 in.)	1280 mm (50.4 in.)	1372 mm (54.0 in.)
Blade Diameter	1372 mm (54.0 in.)	1422 mm (56.0 in.)	1422 mm (56.0 in.)	1549 mm (56.0 in.)
Number of Teeth	18	18	18	20
Saw rpm	1,150 rpm	1,150 rpm	1,150 rpm	1,150 rpm
Wrist Rotation	302 deg.	30 deg.	312 deg.	310 deg.
Width at Saw Housing	1550 mm (61.0 in.)	1620 mm (63.8 in.)	1620 mm (63.8 in.)	1737 mm (68.4 in.)
Height	2820 mm (111.0 in.)	3068 mm (120.8 in.)	3068 mm (120.8 in.)	3068 mm (120.8 in.)
Weight (including adapter and wrist)	3140 kg (6,920 lb.)	3550 kg (7,830 lb.)	3840 kg (8,470 lb.)	4020 kg (8,860 lb.)

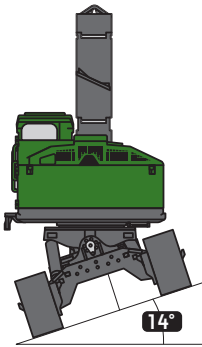
# 903M/909M/953M/959M

Machine Dimensions	903M	909M	953M	959M
Standard Undercarriage	U7 HD	U7L HD	U7 HD	U7L EXD
<b>A</b> Overall Height with 7.01-m Boom				
Top of Cab with Flat Skylight	3.55 m (11 ft. 8 in.)	4.03 m (13 ft. 3 in.)	3.55 m (11 ft. 8 in.)	4.03 m (13 ft. 3 in.)
Top of Cab with Peaked Skylight	3.77 m (12 ft. 4 in.)	4.24 m (13 ft. 11 in.)	3.77 m (12 ft. 4 in.)	4.24 m (13 ft. 11 in.)
Top of Boom, Extended, Attachment Vertical	3.86 m (12 ft. 8 in.)	4.07 m (13 ft. 4 in.)	3.86 m (12 ft. 8 in.)	4.07 m (13 ft. 4 in.)
<b>B</b> Overall Track Length	4.90 m (16 ft. 1 in.)	4.90 m (16 ft. 1 in.)	4.90 m (16 ft. 1 in.)	4.90 m (16 ft. 1 in.)
<b>C</b> Track Length (idler to sprocket center)	3.83 m (12 ft. 7 in.)	3.81 m (12 ft. 6 in.)	3.83 m (12 ft. 7 in.)	3.81 m (12 ft. 6 in.)
<b>D</b> Tail Swing (from swing center)				
Standard Counterweight	3.05 m (10 ft. 0 in.)	3.05 m (10 ft. 0 in.)	3.23 m (10 ft. 7 in.)	3.23 m (10 ft. 7 in.)
Optional Counterweight	3.23 m (10 ft. 7 in.)	3.23 m (10 ft. 7 in.)	N/A	N/A
<b>E</b> Boom Reach (to attachment pin)				
7.01-m Boom				
Maximum	7.01 m (23 ft. 0 in.)	7.01 m (23 ft. 0 in.)	7.01 m (23 ft. 0 in.)	7.01 m (23 ft. 0 in.)
Minimum	3.00 m (9 ft. 10 in.)	3.00 m (9 ft. 10 in.)	3.00 m (9 ft. 10 in.)	3.00 m (9 ft. 10 in.)
Cutting Swath	4.01 m (13 ft. 2 in.)	4.01 m (13 ft. 2 in.)	4.01 m (13 ft. 2 in.)	4.01 m (13 ft. 2 in.)
8.08-m Boom				
Maximum	8.08 m (26 ft. 6 in.)	8.08 m (26 ft. 6 in.)	N/A	N/A
Minimum	2.90 m (9 ft. 6 in.)	2.90 m (9 ft. 6 in.)	N/A	N/A
Cutting Swath	5.18 m (17 ft. 0 in.)	5.18 m (17 ft. 0 in.)	N/A	N/A
<b>F</b> Ground Clearance				
Single Grouser	779 mm (31 in.)	770 mm (30 in.)	779 mm (31 in.)	770 mm (30 in.)
Double Grouser	756 mm (30 in.)	747 mm (29 in.)	756 mm (30 in.)	747 mm (29 in.)
Triple Grouser	738 mm (29 in.)	N/A	738 mm (29 in.)	N/A
<b>G</b> Upperstructure Width				
With Standard Walkway	N/A	3.20 m (10 ft. 6 in.)	N/A	3.20 m (10 ft. 6 in.)
Without Optional Walkway	3.05 m (10 ft. 0 in.)	N/A	3.05 m (10 ft. 0 in.)	N/A
With Optional Walkway	3.20 m (10 ft. 6 in.)	N/A	3.20 m (10 ft. 6 in.)	N/A
<b>H</b> Track Gauge	2.69 m (8 ft. 10 in.)	2.72 m (8 ft. 11 in.)	2.69 m (8 ft. 10 in.)	2.72 m (8 ft. 11 in.)
<b>I</b> Width Over Tracks				
610-mm (24 in.) Track Shoes	3.30 m (10 ft. 10 in.)	3.33 m (10 ft. 11 in.)	3.30 m (10 ft. 10 in.)	3.33 m (10 ft. 11 in.)
711-mm (28 in.) Track Shoes	3.40 m (11 ft. 2 in.)	3.43 m (11 ft. 3 in.)	3.40 m (11 ft. 2 in.)	3.43 m (11 ft. 3 in.)
760-mm (30 in.) Track Shoes	3.45 m (11 ft. 4 in.)	N/A	3.45 m (11 ft. 4 in.)	N/A
914-mm (36 in.) Track Shoes	3.61 m (11 ft. 10 in.)	N/A	3.61 m (11 ft. 10 in.)	N/A

### 909/959M Leveling



26°

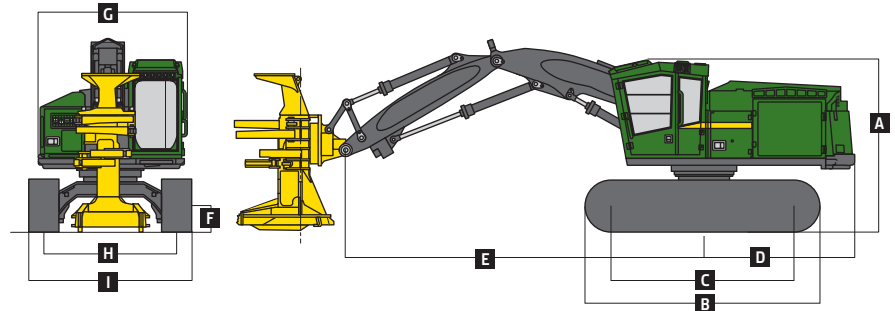


14°

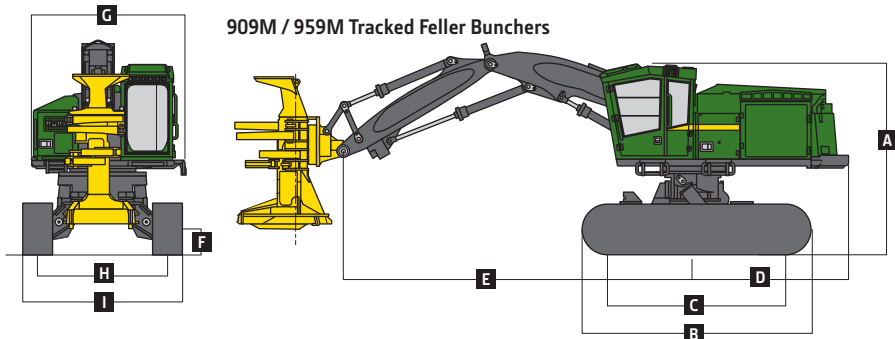
### 909/959M Undercarriage-Leveling Mechanism

Forward	26 deg.
Side to Side	14 deg.
Rearward	7 deg.

### 903M / 953M Tracked Feller Bunchers



### 909M / 959M Tracked Feller Bunchers



Machine not exactly as shown. Illustrations for dimensioning purposes only. Specifications are subject to change without notice.

# 903MH/909MH

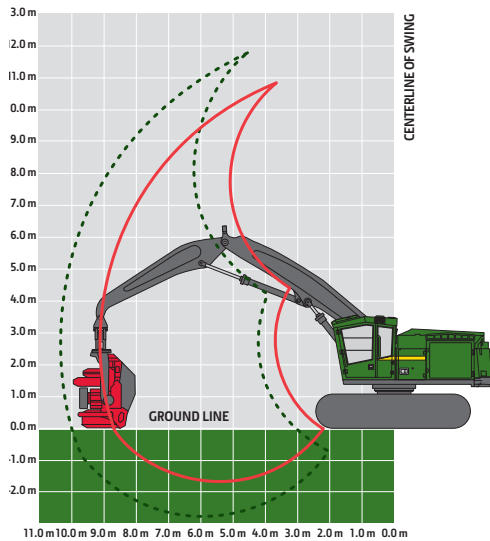
<b>Engine</b>	<b>903MH/909MH</b>		
Manufacturer and Model	John Deere PowerTech™ Plus 6090H		
Non-Road Emission Standard	EPA Tier 3/EU Stage IIIA		
Cylinders	6		
Displacement	9.0 L (549 cu. in.)		
<b>Standard Engine</b>			
Peak Power at 1,900 rpm	224 kW (300 hp)		
Rated Power at 2,000 rpm	213 kW (286 hp)		
Net Peak Torque at 1,500 rpm	1270 Nm (937 lb.-ft.)		
<b>Optional Engine</b>			
Peak Power at 1,900 rpm	246 kW (330 hp)		
Rated Power at 2,000 rpm	230 kW (308 hp)		
Net Peak Torque at 1,500 rpm	1392 Nm (1027 lb.-ft.)		
<b>Cooling</b>			
Fan Type	Suction type, hydraulically driven, variable speed, reversing		
<b>Hydraulics</b>			
Closed center, load sense, pressure compensated			
<b>Main Pump</b>	Variable-displacement axial piston		
Maximum Rated Flow	494 L/min. (131 gpm)		
<b>Attachment Pump (x2)</b>	Dedicated variable-displacement axial piston		
Maximum Rated Flow	135 L/min. (36 gpm)		
Oil Filtration	2 main return filters, 10-micron return with bypass, one case drain strainer, 25 micron		
<b>Electrical</b>			
Voltage	24 volt		
Number of Batteries	2 x 12 volt		
Alternator Rating			
Standard	100 amp		
Optional	130 amp		
Work Lights			
Standard	Halogen (12)		
Optional	LED (12)		
Service Lights	Halogen (3)		
<b>Undercarriage</b>	<b>903MH</b>	<b>909MH</b>	
Integral track guides, thick high-abrasion-resistant material, ramp angles, hydraulic track adjustment			
Size	U7 HD	U7L HD (standard)	U7L EXD (optional)
Track Chain	215.9 mm (8.5 in.)	215.9 mm (8.5 in.)	215.9 mm (8.5 in.)
Number of Track Links (per side)	47	47	47
Lower Rollers (per side)	9	10	10
Carrier Slides / Rollers (per side)	2	2	2
<b>Travel Performance</b>			
Travel Speed, Forward and Reverse			
High	4.2 km/h (2.6 mph)	4.2 km/h (2.6 mph)	3.6 km/h (2.2 mph)
Low	2.1 km/h (1.3 mph)	2.1 km/h (1.3 mph)	1.7 km/h (1.0 mph)
Tractive Effort	322 kN (72,300 lbf)	322 kN (72,300 lbf)	373 kN (83,880 lbf)
<b>Rotating Upper</b>	<b>903MH/909MH</b>		
Swing System, Standard			
Swing Speed (maximum)	4.8 rpm		
Swing Torque	110 170 Nm (81,260 lb.-ft.)		
Swing Brake	Sealed wet multi-disc, manually applied/released		
<b>Serviceability</b>			
Fuel Tank	1080 L (285 gal.)		
<b>Ground Pressure (SAE J1309, less attachment)</b>	<b>903MH</b>	<b>909MH</b>	
Undercarriage	U7 HD	U7L HD (standard)	U7L EXD (optional)
<b>Double Grouser</b>			
610 mm (24 in.)	60.2 kPa (8.7 psi)	70.2 kPa (10.2 psi)	70.7 kPa (10.3 psi)
762 mm (30 in.)	49.2 kPa (7.1 psi)	N/A	N/A
<b>Single Grouser</b>			
610 mm (24 in.)	60.0 kPa (8.7 psi)	70.0 kPa (10.2 psi)	70.5 kPa (10.2 psi)
711 mm (28 in.)	52.3 kPa (7.6 psi)	60.9 kPa (8.8 psi)	61.3 kPa (8.9 psi)
<b>Triple Grouser (soft terrain only)</b>			
914 mm (36 in.)	41.9 kPa (6.1 psi)	N/A	N/A



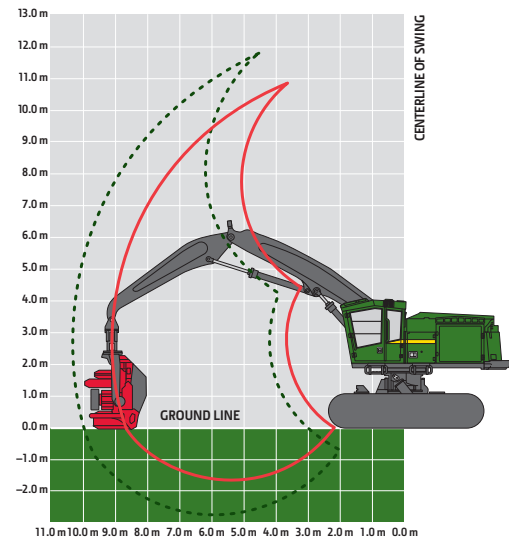
# 903MH/909MH

Operating Weight	903MH	909MH
Includes standard equipment, 610-mm (24 in.) double-grouser tracks, half-full fuel tank, and all fluids, less attachment		
Undercarriage	U7 HD	U7L HD (standard)      U7L EXD (optional)
Approximate Weight — Base Machine	31 420 kg (69,280 lb.)	36 490 kg (80,460 lb.)      36 750 kg (81,030 lb.)
Boom Performance	903MH/909MH	
<b>9.12-m Boom with HTH624C</b>		
Maximum Reach (to attachment pin)	9.12 m (29 ft. 11 in.)	
Minimum Reach (to attachment pin)	3.68 m (12 ft. 1 in.)	
Harvesting Swath	5.44 m (17 ft. 10 in.)	
Lift Option	Standard	
Lift Capacity, Bare Pin at Full Reach	6170 kg (13,600 lb.)	
Lift Capacity, Bare Pin at 7.6 m (25 ft.)	8220 kg (18,130 lb.)	
<b>10.34-m Boom with HTH623C</b>		
Maximum Reach (to attachment pin)	10.34 m (33 ft. 11 in.)	
Minimum Reach (to attachment pin)	4.21 m (13 ft. 10 in.)	
Harvesting Swath	6.13 m (20 ft. 1 in.)	
Lift Option	Standard	
Lift Capacity, Bare Pin at Full Reach	4860 kg (10,720 lb.)	
Lift Capacity, Bare Pin at 9.1 m (30 ft.)	5800 kg (12,790 lb.)	
Lift Capacity, Bare Pin at 7.6 m (25 ft.)	7300 kg (16,100 lb.)	

903MH Tracked Harvester



909MH Tracked Harvester

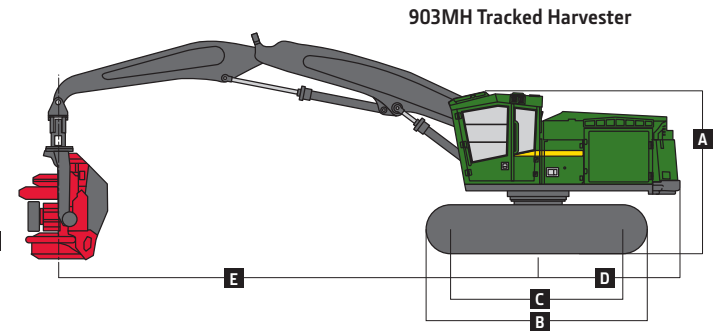
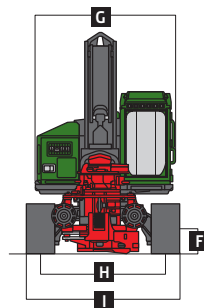
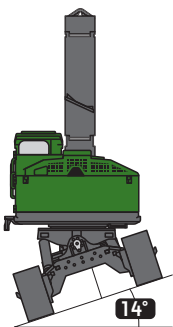
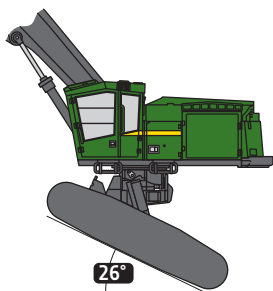


Attachment Information				
Attachment	HTH622B	HTH623C	HTH624C (9.12-m Boom only)	HTH625C (9.12-m Boom only)
Models	903MH, 909MH	903MH, 909MH	903MH, 909MH	903MH, 909MH
Maximum Cutting Capacity	750 mm (29.5 in.)	750 mm (29.5 in.)	810 mm (31.9 in.)	900 mm (35.4 in.)
Maximum Delimiting Capacity	640 mm (25.2 in.)	700 mm (27.6 in.)	760 mm (29.9 in.)	810 mm (31.9 in.)
Feeding Mechanism	3 rollers, fully synchronized hydraulic drive		3 rollers, fully synchronized hydraulic drive	
Dimensions				
Maximum Width (arms open)	1700 mm (66.9 in.)	2000 mm (78.7 in.)	2000 mm (78.7 in.)	2000 mm (78.7 in.)
Height (including rotator)	2700 mm (106.3 in.)	3000 mm (118.1 in.)	3000 mm (118.1 in.)	3250 mm (128.0 in.)
Weight (rotator and standard link)	2190 kg (4,830 lb.)	2870 kg (6,330 lb.)	3460 kg (7,630 lb.)	4270 kg (9,420 lb.)
<i>(See individual Harvesting Head brochure for more details.)</i>				

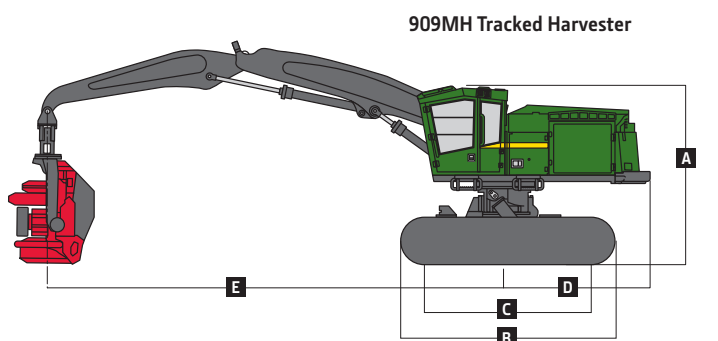
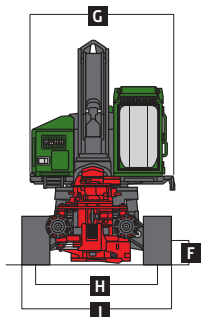
Machine not exactly as shown. Illustrations for dimensioning purposes only. Specifications are subject to change without notice.

Machine Dimensions	903MH	909MH
Standard Undercarriage	U7 HD	U7L HD
<b>A</b> Overall Height with 9.12-m Boom		
Top of Cab with Flat Skylight	3.55 m (11 ft. 8 in.)	4.03 m (13 ft. 3 in.)
Top of Cab with Peaked Skylight	3.77 m (12 ft. 4 in.)	4.24 m (13 ft. 11 in.)
Top of Boom, Extended, Attachment Vertical	3.86 m (12 ft. 8 in.)	4.07 m (13 ft. 4 in.)
<b>B</b> Overall Track Length	4.90 m (16 ft. 1 in.)	4.90 m (16 ft. 1 in.)
<b>C</b> Track Length (idler to sprocket center)	3.83 m (12 ft. 7 in.)	3.81 m (12 ft. 6 in.)
<b>D</b> Tail Swing (from swing center)		
Standard Counterweight	3.05 m (10 ft. 0 in.)	3.05 m (10 ft. 0 in.)
Optional Counterweight	3.23 m (10 ft. 7 in.)	3.23 m (10 ft. 7 in.)
<b>E</b> Boom Reach (to attachment pin)		
9.12-m Boom		
Maximum	9.12 m (29 ft. 11 in.)	9.12 m (29 ft. 11 in.)
Minimum	3.68 m (12 ft. 1 in.)	3.68 m (12 ft. 1 in.)
Cutting Swath	5.44 m (17 ft. 10 in.)	5.44 m (17 ft. 10 in.)
10.34-m Boom		
Maximum	10.34 m (33 ft. 11 in.)	10.34 m (33 ft. 11 in.)
Minimum	4.21 m (13 ft. 10 in.)	4.21 m (13 ft. 10 in.)
Cutting Swath	6.13 m (20 ft. 1 in.)	6.13 m (20 ft. 1 in.)
<b>F</b> Ground Clearance		
Single Grouser	779 mm (31 in.)	770 mm (30 in.)
Double Grouser	756 mm (30 in.)	747 mm (29 in.)
Triple Grouser	738 mm (29 in.)	N/A
<b>G</b> Upperstructure Width		
With Standard Walkway	N/A	3.20 m (10 ft. 6 in.)
Without Optional Walkway	3.05 m (10 ft. 0 in.)	N/A
With Optional Walkway	3.20 m (10 ft. 6 in.)	N/A
<b>H</b> Track Gauge	2.69 m (8 ft. 10 in.)	2.72 m (8 ft. 11 in.)
<b>I</b> Width Over Tracks		
610-mm (24 in.) Track Shoes	3.30 m (10 ft. 10 in.)	3.33 m (10 ft. 11 in.)
711-mm (28 in.) Track Shoes	3.40 m (11 ft. 2 in.)	3.43 m (11 ft. 3 in.)
760-mm (30 in.) Track Shoes	3.45 m (11 ft. 4 in.)	N/A
914-mm (36 in.) Track Shoes	3.61 m (11 ft. 10 in.)	N/A

909MH Leveling



903MH Tracked Harvester



909MH Tracked Harvester

**909MH Undercarriage-Leveling Mechanism**

Forward	26 deg.
Side to Side	14 deg.
Rearward	7 deg.



Logging is a way of life. A calling passed down through the generations. One that gets into your blood and takes everything you've got. But one that you'll never give up. And that's why we're dedicated to providing equipment and solutions specifically for the work you do. Combine our technology with your work ethic to get the job done.

## We're for Loggers



**JOHN DEERE**