

L-SERIES
CRAWLER DOZERS



JOHN DEERE

700L / 750L



PUSH
BOUNDARIES



UNS



+



+



POWERFUL

RELIABLE

COMFORTABLE

TOPPABLE.

A close-up photograph of the side of a yellow and black Dozer cab. The cab is primarily black with yellow accents. The text '700L' is printed in large white letters, with 'LGP' in smaller white letters below it. A black exhaust pipe is visible on top of the cab. The background shows a clear blue sky with some light clouds. The overall image is a promotional photograph for the Dozer.

700L
LGP

TAKE ON MORE.

Boasting increased horsepower, comfort, and reliability over previous K-Series models, the 700L and 750L Dozers are ready to take on all comers. The quieter, roomier cab enables better visibility to the blade while providing additional storage. Slope Control and SmartGrade™ options help operators achieve finish grades with less effort and fewer corrections. Plus simplified hydraulic and electrical routing helps boost reliability — for the dependable productivity you need to take on your next job.

POWER SURGE

GET CHARGED UP ABOUT PRODUCTIVITY.

Whether you're into site development or roadbuilding, the 700L and 750L deliver the performance, reliability, and ease of operation you need.

Quiet comfort

Completely redesigned cab offers better visibility, more spacious comfort, and less noise than its K-Series counterpart, along with options such as automatic temperature control (ATC) system, premium heated/ventilated seat, and rearview camera.



**MOST HORSE-
POWER IN
THEIR CLASS**

Don't settle for average grades

Standard electrohydraulic (EH) controls make it easy to add the grade-control system of your choice. When you opt for SmartGrade Ready including Slope Control, it's easy to upgrade to the fully integrated John Deere SmartGrade machine-control system.

The choice is yours

Looking for the most powerful dozer in its class? Take a close look at the 750L. Or if you need something slightly smaller but still extremely capable, consider the 700L, with more power and blade capacity than the previous 700K model.

More power to you

Delivering six-percent more horsepower than the 750K, the 750L powers through. The 700L provides more horsepower than the 700K. Both models have the highest horsepower and largest blade capacity in their size class.

More reliable routing

Routing of the electrical and hydraulic systems has been significantly simplified to nearly eliminate wear points, improving reliability and ease of maintenance over earlier models.



IT'S ABOUT FLEXIBILITY

WITH OPTIONAL SLOPE CONTROL AND SMARTGRADE™.

Both the 700L and 750L can be equipped with optional new factory-installed SmartGrade Ready including Slope Control that automatically maintains the blade angle without needing an external laser or GPS. SmartGrade Ready enables easy upgrades to a full SmartGrade 3D grade-control system in the field.



SLOPE CONTROL EASES THE PATH TO SMARTGRADE

Push productivity to the limit

Combining more power than any dozer in its class with additional weight over its predecessor, the 750L is 12-percent more productive in backfilling applications than its closest competitor.

Bigger blades

New 161-inch-wide blade option on the 750L allows you to cover larger jobsites in fewer passes. Integrated welded-on spill sheet on the 700L increases blade capacity up to 24 percent compared to 700K blade options.

Durable diesel

Unlike many competitor machines that run four-cylinder engines, the 700L features a reliable six-cylinder 6.8L engine that delivers more power than the previous 700K model.

Turn, turn, turn

Independent track control speeds up or slows down each side, for smooth, full-power turns. Automatic power boost helps carry big blade loads through turns.

Slope Control

Optional SmartGrade Ready including Slope Control provides simple-to-use grade control that allows operators to set and hold a grade or slope through terrain changes. It helps both new and veteran operators to hold grade with less effort, fewer corrections, and minimal adjustments to the blade.

A smart choice

SmartGrade features next-generation components and integration, enabling the highest levels of productivity and grading performance.



The power of SmartGrade

Unlike traditional aftermarket grade-control systems that are prone to theft, damage, and complicated installation, purpose-built John Deere SmartGrade Dozers combine powerful mastless technology with our track load-sensing system. These highly productive crawlers feature a fully integrated grade-control system that is easy to set up and run. And they're backed by the Deere dealer network and supported through features like wireless data transfer and remote display access.

Extend your workday

Optional high-output LED lighting package provides additional illumination when you need to work past or before daylight.

Outside dozer blade

With heavy-duty high-profile push beams and a three-position pitch-adjustable semi-U blade, the outside dozer (OSD) blade-equipped 750L Dozer delivers exceptional durability and high-production performance. Heavy-duty crossmembers provide solid lateral support and allow a clear view of the bottom of the blade. Available turnbuckle pitch jack helps fine-tune blade pitch for improved ground penetration and load carrying.

LOOK FORWARD TO MORE PRODUCTIVITY

LET'S SEE WHAT YOU CAN DO.

Boasting better visibility than earlier models and a host of creature comforts, the quiet, spacious cab will help you set your sights (and jobsites) on getting more done.

See what you've been missing

A wider expanse of front glass; a lower, streamlined hood; and larger doors provide better visibility to the blade and the worksite all around.

Quality seat time

Both the standard deluxe fabric-covered seat and the optional premium leather-accented heated/ventilated seat feature pan tilt, pan extend, lumbar adjustment, and air suspension with full damping capability.

Peace and quiet

On the 700L, new rubber-encased viscous cab mounts help reduce noise by over 50 percent compared to the 700K. They also effectively isolate operators from vibration to improve the ride.

Low-effort control

Updated ergonomic joysticks provide intuitive, low-effort control of the transmission, hydraulics, and rear implement.

Set and forget

Optional automatic temperature control (ATC) system allows operators to simply select a desired temperature instead of fiddling with knobs to get comfortable.

Keep close tabs on the machine

Large, easy-to-navigate monitor provides intuitive, push-button access to a wealth of machine information, including temperatures, pressures, and diagnostics. Opt for a rearview camera to display the action behind the machine on the color monitor.

Take total control

Exclusive Total Machine Control (TMC) monitor lets an operator quickly change between machine presets with the simple push of a button, or independently adjust decelerator mode and response, forward/reverse ground-speed ranges, steering modulation, F-N-R shift rate, and forward/reverse speed ratio.





16%
MORE
GLASS AREA
(700L OVER 700K)

VISIONARY.

L-SERIES DOZERS WON'T LET UP OR LET YOU DOWN.

You can count on these dependable workers to tackle your toughest tasks. When you know how they're built, you'll see what the L-Series can take on.

Built tough

The 700L and 750L have been beefed-up with thicker sheet metal; larger doors and hydrostatic pumps; a sealed engine compartment; a simplified, heavier-duty mainframe; and a more robust c-frame-to-mainframe joint (750L only) than previous models.

Undercarriage options

Both models come standard with a durable heavy-duty undercarriage. Or opt for Extended Life undercarriage with SC-2™-treated bushings, a parts coating that delivers up to twice the wear life. Maximum Life undercarriage, with larger components and stronger seals, is available on the 700L.

Save fuel

Standard Eco mode adjusts engine power and transmission settings automatically based on load while maintaining ground speed, improving fuel economy up to 15 percent for both the 700L and 750L with no loss of productivity. Auto-idle also helps save fuel by reducing engine speed when the dozer isn't moving. Auto shutdown turns the engine off after an operator-determined period of idling, further minimizing fuel use while reducing wear on components.

Clear the way

Factory-installed limb risers and screens allow you to put this dozer to work in forestry, land-clearing, and other challenging applications.



**NEVER
BACK DOWN.**



UP TO

15%

**LESS FUEL
CONSUMPTION**

**THAN K-SERIES MODELS
WITH ECO MODE***

**With no loss of productivity.*

BURN LESS, EARN MORE.

KEEP FUEL AND OPERATING COSTS DOWN.

Minimal maintenance

Enlarged service doors provide quick access to conveniently located checkpoints and filters. Extended hydraulic and hydrostatic oil-change intervals from 2,000 to 4,000 hours help further minimize maintenance and expense.

Reversing cooling fan

Hydraulic reversing fan (standard on the 750L, optional on the 700L) automatically back-blows the cooler cores at preset intervals. Or simply press a button when conditions demand more frequent cleaning.

Now that's smart thinking

When equipped with optional SmartGrade™ Ready including Slope Control, the 700L and 750L have the versatility of a 2D system combined with 3D accuracy, helping optimize the productivity of your operation.

Easy cooling-package cleanout

Redesigned layout of the single-plane cooling system promotes efficient airflow, extending intervals between cleanouts.



Get valuable insight with

JOHN DEERE WORKSIGHT™

The John Deere WorkSight suite of construction technology delivers **Productivity Solutions** to help you get more done, more efficiently. The in-base, five-year JDLink™ telematics subscription provides machine location, utilization data, and alerts to help you maximize productivity and efficiency. Other productivity solutions including grade-management and payload-weighting options are also available.

To maximize uptime and lower costs, JDLink telematics also enables **John Deere Connected Support.™** John Deere's centralized Machine Health Monitoring Center analyzes data from thousands of connected machines, identifies trends, and develops recommended actions, called Expert Alerts, to prevent downtime. Dealers use Expert Alerts to proactively address conditions that may otherwise likely lead to downtime. Your dealer can also monitor machine health and leverage remote diagnostics and programming capability to further diagnose problems and even update machine software without a time-consuming trip to the jobsite.

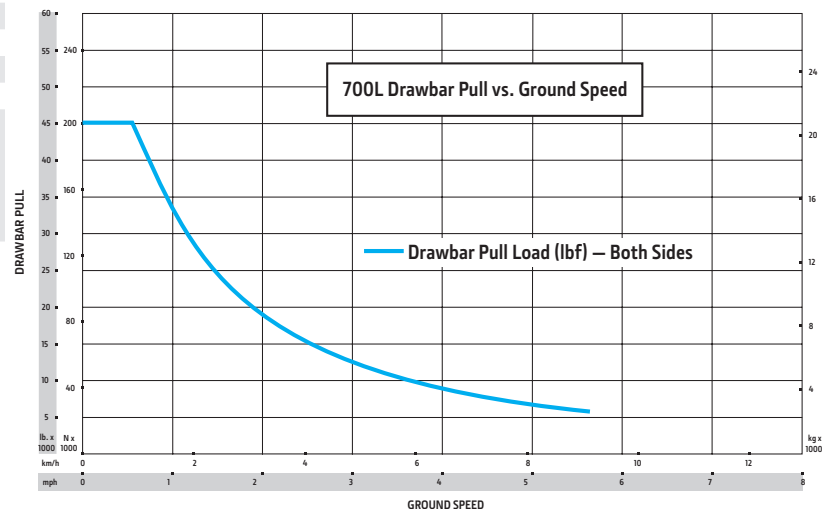




700L SPECIFICATIONS

While general information, pictures, and descriptions are provided, some illustrations and text may include product options and accessories NOT AVAILABLE in all regions, and in some countries products and accessories may require modifications or additions to ensure compliance with the local regulations of those countries.

Engine	700L XLT / 700L LGP
Blade Type	Power-Angle-Tilt (PAT)
Manufacturer and Model	John Deere PowerTech™ PVS 6068
Non-Road Emission Standard	EPA Final Tier 4/EU Stage V
Displacement	6.8L (414 cu. in.)
SAE Net Rated Power	101 kW (135 hp) at 1,800 rpm
Aspiration	Turbocharged with charge-air cooler
Air Cleaner	Dual-stage dry tube with tangential unloader
Cooling	
Type	Variable-speed suction fan with optional reversing feature
Engine Coolant Rating	-37 deg. C. (-34 deg. F)
Engine Radiator	10 fins per in.
Powertrain	
Transmission	Automatic, dual-path, hydrostatic (HST) drive; load-sensing feature automatically adjusts speed and power to match changing load conditions; each individually controlled track is powered by a variable-displacement piston pump and motor combination; ground-speed selection buttons on single-lever steering and direction control; reverse speed ratio is fully operator customizable; decelerator pedal provides infinite speed control from full speed to complete stop
System Relief Pressure	47 573 kPa (6,900 psi)
Travel Speeds	
Forward and Reverse	8.9 km/h (5.5 mph)
Maximum (optional)	9.7 km/h (6.0 mph)
Steering	Single-lever steering, speed, direction control, and counter-rotation; full power turns and infinitely variable track speeds provide unlimited maneuverability and optimum control; HST steering eliminates steering clutches and brakes
Final Drives	Triple-reduction final drives mounted independently of track frames and dozer push frames for isolation from shock loads
Total Ratio	33.59 to 1
Drawbar Pull	
Maximum	200 kN (45,050 lb.)
At 1.9 km/h (1.2 mph)	131 kN (29,500 lb.)
At 3.2 km/h (2.0 mph)	83 kN (18,600 lb.)
Brakes	
Service	HST (dynamic) braking stops the machine whenever the direction-control lever is moved to neutral or the decelerator is depressed to the detent
Parking	Exclusive safety feature engages wet, multiple-disc brakes whenever the engine stops, the decelerator is depressed to the end of travel, or motion is detected while the transmission control is in neutral; machine cannot be driven with brake applied, minimizing wearout; spring applied, hydraulic release
Hydraulics	
Type	Open-center hydraulic system with fixed-displacement gear pump
Pump Displacement	47.5 cc
System Relief Pressure	22 063 kPa (3,200 psi)
Maximum Flow at Unloaded High Idle	95 L/m (25 gpm)
Control	3-function electrohydraulic (EH) joystick with proportional roller-angle function
Electrical	
Voltage	24 volts
Capacity	
Battery	950 CCA
Reserve	175 min.



700L SPECIFICATIONS



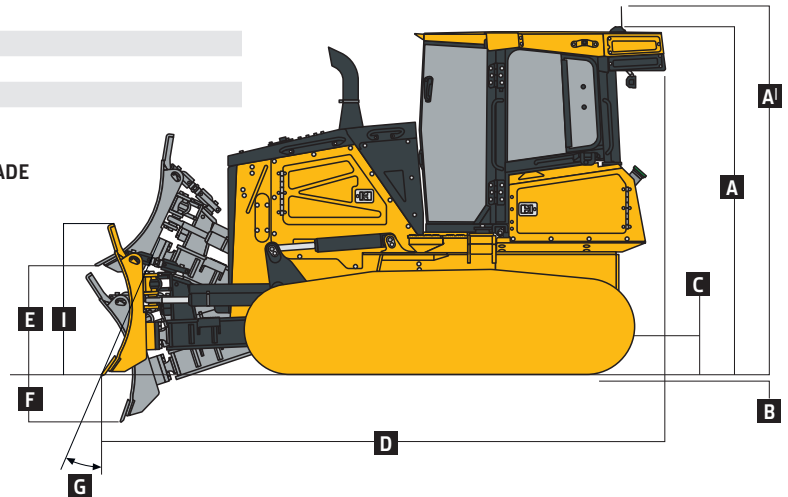
While general information, pictures, and descriptions are provided, some illustrations and text may include product options and accessories NOT AVAILABLE in all regions, and in some countries products and accessories may require modifications or additions to ensure compliance with the local regulations of those countries.

Electrical (continued)		700L XLT / 700L LGP			
Blade Type		PAT			
Alternator Rating					
Cab		145 amp			
Canopy		110 amp			
Lights					
Halogen		Cab-mounted front (2) and cab-mounted rear (2)			
Premium LED		Cab-mounted front (4) and cab-mounted rear (2)			
Undercarriage		700L XLT		700L LGP	
Tracks		John Deere features large deep-heat-treated components; pins and bushings are sealed for life; rollers and idlers are permanently sealed and lubricated; sprockets are segmented; full-length track-frame covers reduce material buildup and ease cleaning			
Track Gauge		1778 mm (70 in.)	1778 mm (70 in.)	1981 mm (78 in.)	1981 mm (78 in.)
Grouser Width		559 mm (22 in.)	559 mm (22 in.)	760 mm (30 in.)	760 mm (30 in.)
Chain		Sealed and lubricated	Sealed and lubricated	Sealed and lubricated	Sealed and lubricated
Shoes, Each Side		39	39	39	39
Track Rollers, Each Side		7	7	7	7
Track Length on Ground		2615 mm (103 in.)	2615 mm (103 in.)	2615 mm (103 in.)	2615 mm (103 in.)
Ground Contact Area		32 569 cm ² (5,048 sq. in.)	32 569 cm ² (5,048 sq. in.)	44 201 cm ² (6,851 sq. in.)	44 201 cm ² (6,851 sq. in.)
Ground Pressure		42.2 kPa (6.12 psi)	42.3 kPa (6.14 psi)	32.1 kPa (4.66 psi)	32.3 kPa (4.68 psi)
Track Pitch		191 mm (7.5 in.)	191 mm (7.5 in.)	191 mm (7.5 in.)	191 mm (7.5 in.)
Oscillation at Front Roller		±94 mm (±3.7 in.)	±94 mm (±3.7 in.)	±94 mm (±3.7 in.)	±94 mm (±3.7 in.)
Operator Station		700L XLT / 700L LGP			
		ROPS (ISO 3471 – 2008) and FOPS (ISO 3449 – 2005) Level II			
Serviceability					
Refill Capacities					
Fuel Tank With Lockable Cap		262 L (69.2 gal.)			
Diesel Exhaust Fluid (DEF) Tank		14.2 L (3.8 gal.)			
Cooling System With Recovery Tank		31.4 L (8.3 gal.)			
Engine Oil With Filter		28 L (7.4 gal.)			
Transmission/Hydraulic Reservoir With Filter		102 L (26.9 gal.)			
Operating Weights		700L XLT		700L LGP	
<i>Base Weight (with standard equipment, rollover protective structure [ROPS], full fuel tank, and 79-kg [175 lb.] operator)</i>		14 016 kg (30,900 lb.)	14 049 kg (30,973 lb.)	14 489 kg (31,943 lb.)	14 555 kg (32,088 lb.)
Optional Components					
Cab With Pressurizer and Heater/ Air Conditioner		230 kg (507 lb.)	230 kg (507 lb.)	230 kg (507 lb.)	230 kg (507 lb.)
Rear Screen					
ROPS Canopy		28 kg (62 lb.)	28 kg (62 lb.)	28 kg (62 lb.)	28 kg (62 lb.)
Cab With Air Conditioner		49 kg (108 lb.)	49 kg (108 lb.)	49 kg (108 lb.)	49 kg (108 lb.)
Screens – Full Enclosure, Cab With Air Conditioner		219 kg (483 lb.)	219 kg (483 lb.)	219 kg (483 lb.)	219 kg (483 lb.)
Limb Risers (ROPS canopy and cab)		182 kg (401 lb.)	182 kg (401 lb.)	182 kg (401 lb.)	182 kg (401 lb.)
Heavy-Duty Grille		13 kg (29 lb.)	13 kg (29 lb.)	13 kg (29 lb.)	13 kg (29 lb.)
Counterweight					
Front		144 kg (317 lb.)	144 kg (317 lb.)	144 kg (317 lb.)	144 kg (317 lb.)
Rear		468 kg (1,032 lb.)	468 kg (1,032 lb.)	468 kg (1,032 lb.)	468 kg (1,032 lb.)
Retrieval Hitch		31 kg (68 lb.)	31 kg (68 lb.)	31 kg (68 lb.)	31 kg (68 lb.)
Drawbar, Extended Rigid		93 kg (205 lb.)	93 kg (205 lb.)	93 kg (205 lb.)	93 kg (205 lb.)
Winch		652 kg (1,437 lb.)	652 kg (1,437 lb.)	652 kg (1,437 lb.)	652 kg (1,437 lb.)
Fairlead, 4 Roller		85 kg (187 lb.)	85 kg (187 lb.)	85 kg (187 lb.)	85 kg (187 lb.)
Full-Length Rock Guards		155 kg (342 lb.)	155 kg (342 lb.)	155 kg (342 lb.)	155 kg (342 lb.)
Maximum Life Undercarriage Track Shoes		211 kg (465 lb.)	211 kg (465 lb.)	211 kg (465 lb.)	211 kg (465 lb.)
559 mm (22 in.)		In base	In base	–507 kg (–1,118 lb.)	–507 kg (–1,118 lb.)
610 mm (24 in.)		–	–	–392 kg (–864 lb.)	–392 kg (–864 lb.)
760 mm (30 in.)		–	–	In base	In base

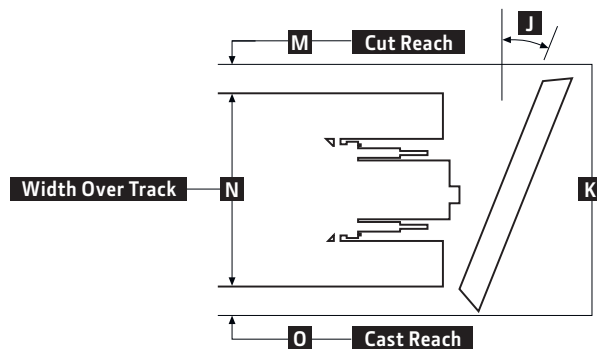
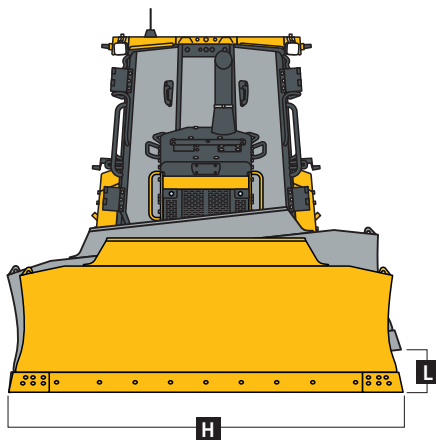
While general information, pictures, and descriptions are provided, some illustrations and text may include product options and accessories NOT AVAILABLE in all regions, and in some countries products and accessories may require modifications or additions to ensure compliance with the local regulations of those countries.

Machine Dimensions	700L XLT / 700L LGP
Blade Type	Power-Angle-Tilt (PAT)
A Overall Height to Roof (includes antenna base)	3047 mm (10 ft. 0 in.)
A' Overall Height With Limb Risers	3138 mm (10 ft. 4 in.)
B Tread Depth With Single-Bar Grouser	56 mm (2.2 in.)
C Ground Clearance in Dirt	387 mm (15.2 in.)
D Overall Length	4906 mm (193 in.) (16 ft. 1 in.)
D' Overall Length With Extended Drawbar	5078 mm (200 in.) (16 ft. 8 in.)
D'' Overall Length With Extended Drawbar and Rear Counterweight	5205 mm (205 in.) (17 ft. 1 in.)
D''' Overall Length With Winch and Fairlead Rollers	5474 mm (216 in.) (18 ft. 0 in.)
E Blade Lift Height	977 mm (38 in.) (3 ft. 2 in.)
F Blade Digging Depth	536 mm (21 in.)
G Blade Cutting Edge Angle, Adjustable	51.2 to 58.3 deg.

700L XLT / 700L LGP WITH POWER-ANGLE-TILT (PAT) BLADE



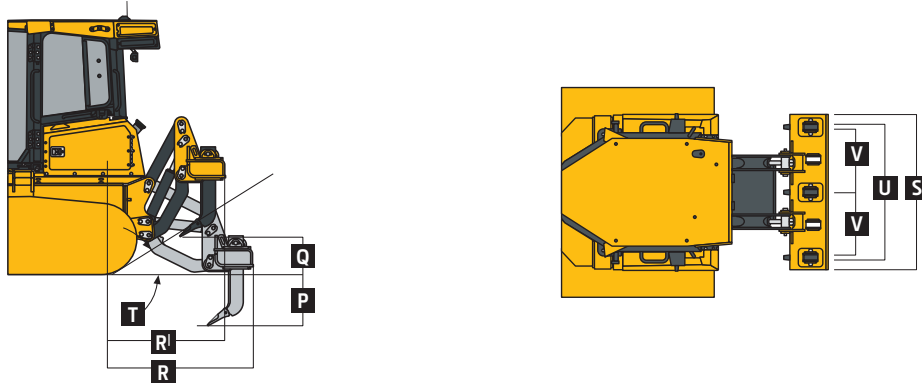
Machine Dimensions (continued)	700L XLT	700L LGP
Straight		
H Blade Width	3077 mm (121 in.) (10 ft. 1 in.)	3231 mm (127 in.) (10 ft. 7 in.)
I Blade Height	1322 mm (52 in.) (4 ft. 4 in.)	1322 mm (52 in.) (4 ft. 4 in.)
SAE Capacity	3.4 m ³ (4.4 cu. yd.)	3.5 m ³ (4.6 cu. yd.)
Weight	811 kg (1,788 lb.)	844 kg (1,861 lb.)
C-Frame Assembly Weight (without blade)	803 kg (1,770 lb.)	803 kg (1,770 lb.)
J Blade Angle	25 deg.	25 deg.
K Overall Width With Blade Angled	2808 mm (111 in.) (9 ft. 3 in.)	2912 mm (115 in.) (9 ft. 7 in.)
L Blade Tilt	426 mm (17 in.)	447 mm (18 in.)
M Cut Reach	0 mm (0 in.)	64 mm (3 in.)
N Width Over Track	2338 mm (92 in.) (7 ft. 8 in.)	2338 mm (92 in.) (7 ft. 8 in.)
O Cast Reach	441 mm (17 in.)	510 mm (20 in.)



While general information, pictures, and descriptions are provided, some illustrations and text may include product options and accessories NOT AVAILABLE in all regions, and in some countries products and accessories may require modifications or additions to ensure compliance with the local regulations of those countries.

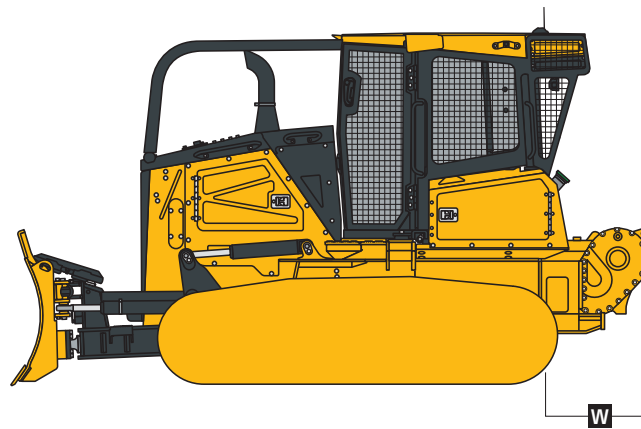
Rear Ripper **700L XLT / 700L LGP**

Blade Type	PAT
Multi-shank parallelogram ripper with 5 pockets and 3 shanks	
Weight	1444 kg (3,183 lb.)
P Maximum Penetration	563 mm (22 in.)
Q Maximum Clearance Under Tip	584 mm (23 in.)
R Overall Length, Lowered Position	1494 mm (59 in.) (4 ft. 11 in.)
R^l Overall Length, Raised Position	1210 mm (48 in.) (4 ft. 0 in.)
S Overall Beam Width	1930 mm (76 in.) (6 ft. 4 in.)
T Slope Angle (full raise)	26 deg.
U Ripping Width	1673 mm (66 in.) (5 ft. 6 in.)
V Distance Between Shanks	806 mm (32 in.)



4000S Winch **700L XLT / 700L LGP**

W Winch Length	798 mm (31 in.)
-----------------------	-----------------

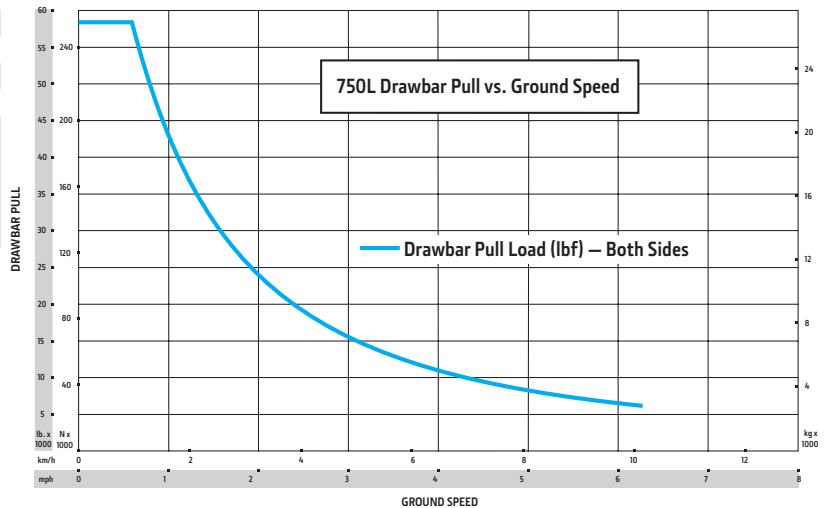




750L SPECIFICATIONS

While general information, pictures, and descriptions are provided, some illustrations and text may include product options and accessories NOT AVAILABLE in all regions, and in some countries products and accessories may require modifications or additions to ensure compliance with the local regulations of those countries.

Engine		750L XLT / 750L LGP	750L
Blade Type		Power-Angle-Tilt (PAT)	Outside Dozer (OSD)
Manufacturer and Model		John Deere PowerTech™ PVS 6068	John Deere PowerTech PVS 6068
Non-Road Emission Standard		EPA Final Tier 4/EU Stage V	EPA Final Tier 4/EU Stage V
Displacement		6.8L (414 cu. in.)	6.8L (414 cu. in.)
SAE Net Rated Power		131 kW (175 hp) at 1,700 rpm	131 kW (175 hp) at 1,700 rpm
Aspiration		Turbocharged with charge-air cooler	Turbocharged with charge-air cooler
Air Cleaner		Vacuum-aspirated dual-element dry canister	Vacuum-aspirated dual-element dry canister
Cooling		750L XLT / 750L LGP / 750L	
Type		Variable-speed suction fan with automatic reversing	
Engine Coolant Rating		-37 deg. C. (-34 deg. F)	
Engine Radiator		10 fins per in.	
Powertrain			
Transmission	Automatic, dual-path, hydrostatic (HST) drive; load-sensing feature automatically adjusts speed and power to match changing load conditions; each individually controlled track is powered by a variable-displacement piston pump and motor combination; ground-speed selection buttons on single-lever steering and direction control; reverse speed ratio is fully operator customizable; decelerator pedal provides infinite speed control from full speed to complete stop		
System Relief Pressure	47 574 kPa (6,900 psi)		
Travel Speeds			
Forward and Reverse	9.7 km/h (6.0 mph)		
Maximum (optional)	11.0 km/h (6.8 mph)		
Steering			
	Single-lever steering, speed, direction control, and counter-rotation; full power turns and infinitely variable track speeds provide unlimited maneuverability and optimum control; HST steering eliminates steering clutches and brakes		
Final Drives			
	Double-reduction, planetary final drives mounted independently of track frames and dozer push frames for isolation from shock loads		
Total Ratio	46.41 to 1		
Drawbar Pull			
Maximum	259 kN (58,250 lb.)		
At 1.9 km/h (1.2 mph)	167 kN (37,500 lb.)		
At 3.2 km/h (2.0 mph)	106 kN (23,750 lb.)		
Brakes			
Service	HST (dynamic) braking stops the machine whenever the direction-control lever is moved to neutral or the decelerator is depressed to the detent		
Parking	Exclusive safety feature engages wet, multiple-disc brakes whenever the engine stops, the decelerator is depressed to the end of travel, or motion is detected while the transmission control is in neutral; machine cannot be driven with brake applied, minimizing wearout; spring applied, hydraulic release		
Hydraulics		750L XLT / 750L LGP	750L
Type		Open-center load-sense hydraulic system with variable-displacement piston pump	
Pump Displacement		63 cc	
System Relief Pressure		24 993 kPa (3,625 psi)	
Differential Pressure		1896 kPa (275 psi)	
Maximum Flow at Unloaded High Idle		130 L/m (34 gpm)	
Control		3-function electrohydraulic (EH) joystick with proportional roller-angle function	2-function EH joystick
Electrical		750L XLT / 750L LGP / 750L	
Voltage			
Capacity	24 volts		
Battery	950 CCA		
Reserve	175 min.		



750L SPECIFICATIONS



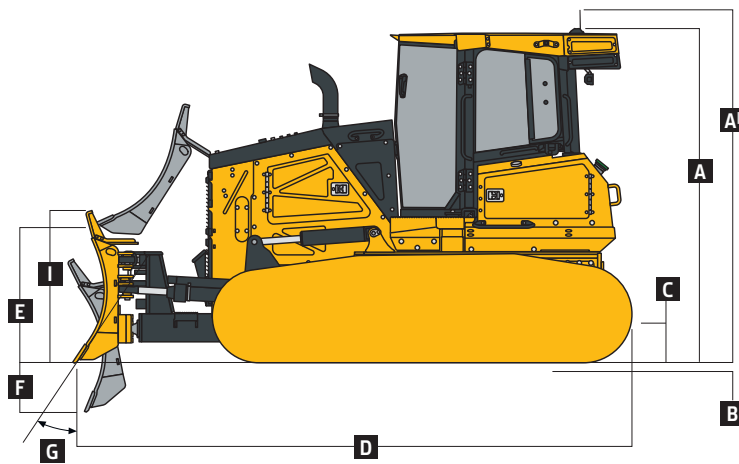
While general information, pictures, and descriptions are provided, some illustrations and text may include product options and accessories NOT AVAILABLE in all regions, and in some countries products and accessories may require modifications or additions to ensure compliance with the local regulations of those countries.

Electrical (continued)		750L XLT / 750L LGP / 750L			
Alternator Rating					
Cab	145 amp				
Canopy	110 amp				
Lights					
Halogen	Cab-mounted front (2), cab-mounted rear (2), and engine compartment (1)				
Premium LED	Cab-mounted front (4), cab-mounted rear (2), and engine compartment (1)				
Undercarriage	750L XLT	750L LGP		750L	
Blade Type	PAT	PAT		OSD	
Tracks					
Track frame with front and rear track guides and sprocket guard; John Deere undercarriage features deep heat-treated, sealed, and lubricated track links and through-hardened, sealed, and lubricated rollers for maximum wear resistance; sprockets are segmented; extreme-duty shoes are available (on some models) for severe applications					
Track Gauge	1880 mm (74 in.)	2134 mm (84 in.)	2134 mm (84 in.)	1880 mm (74 in.)	
Grouser Width	559 mm (22 in.)	860 mm (34 in.)	860 mm (34 in.)	610 mm (24 in.)	
Chain	Sealed and lubricated	Sealed and lubricated		Sealed and lubricated	
Shoes, Each Side	45	45	45	40	
Track Rollers, Each Side	8	8	8	7	
Track Length on Ground	3093 mm (122 in.)	3093 mm (122 in.)	3093 mm (122 in.)	2604 mm (103 in.)	
Ground Contact Area	38 232 cm ² (5,926 sq. in.)	58 373 cm ² (9,048 sq. in.)		35 677 cm ² (5,530 sq. in.)	
Ground Pressure	43.7 kPa (6.34 psi)	30.5 kPa (4.42 psi)	30.5 kPa (4.43 psi)	47.8 kPa (6.93 psi)	
Track Pitch	191 mm (7.5 in.)	191 mm (7.5 in.)	191 mm (7.5 in.)	191 mm (7.5 in.)	
Oscillation at Front Roller	±135 mm (±5.3 in.)	±127 mm (±5.0 in.)	±127 mm (±5.0 in.)	±110 mm (±4.3 in.)	
Operator Station	750L XLT / 750L LGP / 750L				
ROPS (ISO 3471 – 2008) and FOPS (ISO 3449 – 2005) Level II					
Serviceability					
Refill Capacities					
Fuel Tank With Lockable Cap	370 L (97.7 gal.)				
Cooling System With Recovery Tank	31.4 L (8.3 gal.)				
Engine Oil With Filter	28 L (7.4 gal.)				
Reservoir With Filter					
Transmission	57 L (15.1 gal.)				
Hydraulic	98 L (25.9 gal.)				
Diesel Exhaust Fluid (DEF) Reservoir	14.2 L (3.8 gal.)				
Operating Weights	750L XLT	750L LGP		750L	
<i>Base Weight (with standard equipment, rollover protective structure [ROPS], full fuel tank, and 79-kg [175 lb.] operator)</i>	17 041 kg (37,569 lb.)	18 133 kg (39,976 lb.)	18 162 kg (40,040 lb.)	17 386 kg (38,330 lb.)	
Optional Components					
Cab With Pressurizer and Heater/ Air Conditioner	230 kg (507 lb.)	230 kg (507 lb.)	230 kg (507 lb.)	230 kg (507 lb.)	
Rear Screen					
ROPS Canopy	28 kg (62 lb.)	28 kg (62 lb.)	28 kg (62 lb.)	28 kg (62 lb.)	
Cab With Air Conditioner	49 kg (108 lb.)	49 kg (108 lb.)	49 kg (108 lb.)	49 kg (108 lb.)	
Screens – Full Enclosure, Cab With Air Conditioner	219 kg (483 lb.)	219 kg (483 lb.)	219 kg (483 lb.)	219 kg (483 lb.)	
Limb Risers (ROPS canopy and cab)	186 kg (410 lb.)	186 kg (410 lb.)	186 kg (410 lb.)	186 kg (410 lb.)	
Heavy-Duty Grille	30 kg (65 lb.)	30 kg (65 lb.)	30 kg (65 lb.)	30 kg (65 lb.)	
Rear Counterweight	326 kg (720 lb.)	326 kg (720 lb.)	326 kg (720 lb.)	326 kg (720 lb.)	
Retrieval Hitch	37 kg (81 lb.)	37 kg (81 lb.)	37 kg (81 lb.)	37 kg (81 lb.)	
Drawbar, Extended Rigid	111 kg (245 lb.)	111 kg (245 lb.)	111 kg (245 lb.)	111 kg (245 lb.)	
Center Chain Guides	61 kg (135 lb.)	61 kg (135 lb.)	61 kg (135 lb.)	61 kg (135 lb.)	
Full-Length Rock Guards	221 kg (487 lb.)	221 kg (487 lb.)	221 kg (487 lb.)	178 kg (392 lb.)	
Track Shoes					
559-mm (22 in.) Moderate Duty	In base	-759 kg (-1,674 lb.)	-759 kg (-1,674 lb.)	-	
610-mm (24 in.) Moderate Duty	86 kg (190 lb.)	-673 kg (-1,484 lb.)	-673 kg (-1,484 lb.)	In base	
610-mm (24 in.) Extreme Duty	350 kg (772 lb.)	-409 kg (-902 lb.)	-409 kg (-902 lb.)	230 kg (507 lb.)	
710-mm (28 in.) Moderate Duty	-	-363 kg (-800 lb.)	-363 kg (-800 lb.)	-	
860-mm (34 in.) Moderate Duty	-	In base	In base	-	

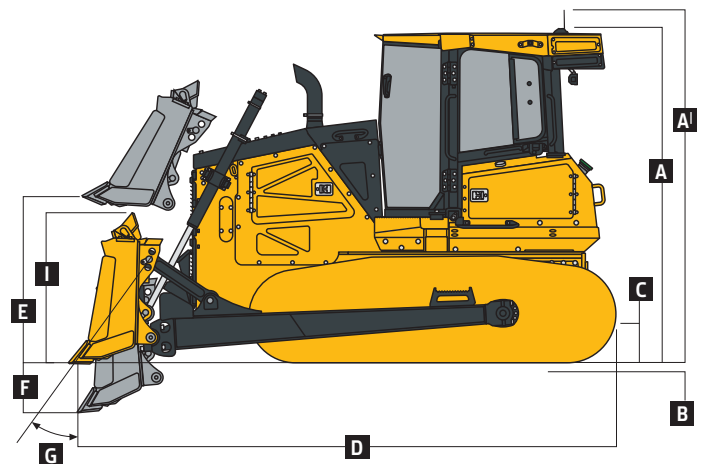
750L

While general information, pictures, and descriptions are provided, some illustrations and text may include product options and accessories NOT AVAILABLE in all regions, and in some countries products and accessories may require modifications or additions to ensure compliance with the local regulations of those countries.

Machine Dimensions	750L XLT	750L LGP	750L
Blade Type	Power-Angle-Tilt (PAT)	Power-Angle-Tilt (PAT)	Outside Dozer (OSD)
A Overall Height to Roof (includes antenna base and grouser height)	3248 mm (10 ft. 8 in.)	3248 mm (10 ft. 8 in.)	3248 mm (10 ft. 8 in.)
A' Overall Height With Limb Risers (includes grousers)	3343 mm (11 ft. 6 in.)	3343 mm (11 ft. 6 in.)	3343 mm (11 ft. 6 in.)
B Tread Depth With Single-Bar Grouser			
Moderate Duty	69 mm (2.7 in.)	69 mm (2.7 in.)	69 mm (2.7 in.)
Extreme Duty	69 mm (2.7 in.)	69 mm (2.7 in.)	69 mm (2.7 in.)
C Ground Clearance in Dirt	358 mm (14 in.)	358 mm (14 in.)	358 mm (14 in.)
D Overall Length	5359 mm (211 in.) (17 ft. 7 in.)	5359 mm (211 in.) (17 ft. 7 in.)	6054 mm (238 in.) (19 ft. 10 in.)
D' Overall Length With Extended Drawbar	5602 mm (221 in.) (18 ft. 5 in.)	5602 mm (221 in.) (18 ft. 5 in.)	6297 mm (248 in.) (20 ft. 8 in.)
E Blade Lift Height	904 mm (36 in.) (3 ft. 0 in.)	904 mm (36 in.) (3 ft. 0 in.)	1035 mm (40.7 in.) (3 ft. 4.7 in.)
F Blade Digging Depth	648 mm (25.5 in.)	648 mm (25.5 in.)	594 mm (23.4 in.)
G Blade Cutting-Edge Angle, Adjustable	54.3 to 59.4 deg.	54.3 to 59.4 deg.	51.2 to 59.2 deg.



750L XLT / 750L LGP WITH POWER-ANGLE-TILT (PAT) BLADE

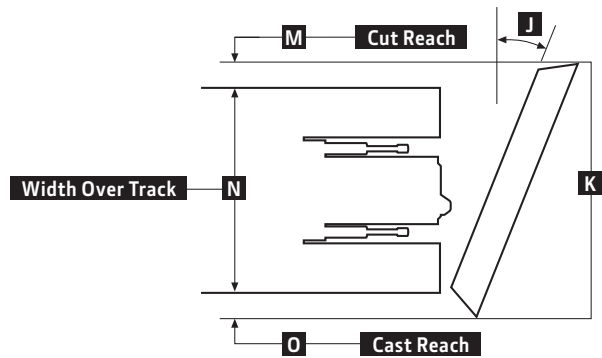
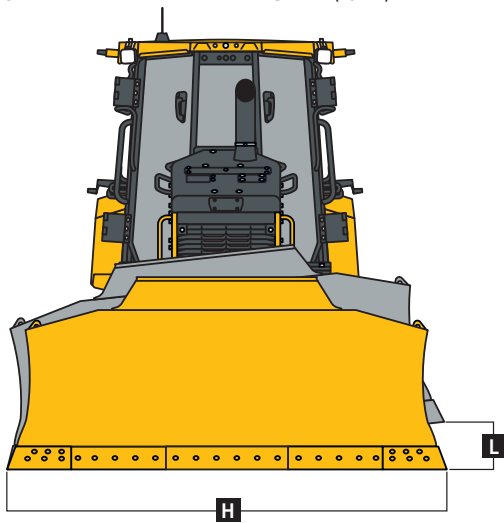


750L WITH OUTSIDE DOZER (OSD) BLADE

Machine Dimensions (continued)	750L XLT	750L LGP	750L
Semi-U			
H Blade Width	—	—	3265 mm (129 in.) (10 ft. 9 in.)
I Blade Height	—	—	1435 mm (56.5 in.) (4 ft. 8.5 in.)
SAE Capacity	—	—	4.3 m ³ (5.6 cu. yd.)
Weight	—	—	1350 kg (2,976 lb.)
Push-Beam Assembly Weight (without blade)	—	—	1274 kg (2,809 lb.)
L Blade Tilt	—	—	681 mm (27 in.)
N Width Over Track	—	—	2440 mm (96 in.) (8 ft. 0 in.)

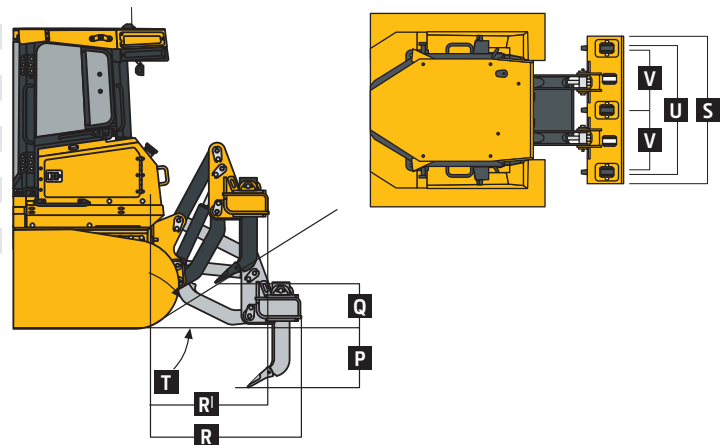
While general information, pictures, and descriptions are provided, some illustrations and text may include product options and accessories NOT AVAILABLE in all regions, and in some countries products and accessories may require modifications or additions to ensure compliance with the local regulations of those countries.

Machine Dimensions (continued)	750L XLT	750L LGP	750L
Blade Type	PAT	PAT	OSD
Straight			
H Blade Width	3296 mm (130 in.) (10 ft. 10 in.)	3962 mm (156 in.) (13 ft. 0 in.)	4083 mm (161 in.) (13 ft. 5 in.)
I Blade Height	1444 mm (57 in.) (4 ft. 9 in.)	1427 mm (56 in.) (4 ft. 8 in.)	—
SAE Capacity	3.9 m ³ (5.2 cu. yd.)	4.5 m ³ (5.9 cu. yd.)	4.6 m ³ (6.0 cu. yd.)
Weight	967 kg (2,132 lb.)	1111 kg (2,449 lb.)	1140 kg (2,513 lb.)
C-Frame Assembly Weight (without blade)	1324 kg (2,926 lb.)	1324 kg (2,926 lb.)	1324 kg (2,926 lb.)
J Blade Angle	24 deg.	24 deg.	24 deg.
K Overall Width With Blade Angled	3011 mm (118.5 in.) (9 ft. 10.5 in.)	3619 mm (142.5 in.) (11 ft. 10.5 in.)	3729 mm (147 in.) (12 ft. 3 in.)
L Blade Tilt	432 mm (17 in.)	502 mm (20 in.)	518 mm (20 in.)
M Cut Reach	57 mm (2 in.)	116 mm (5 in.)	171 mm (7 in.)
N Width Over Track	2440 mm (96 in.) (8 ft. 0 in.)	2989 mm (118 in.) (9 ft. 10 in.)	—
O Cast Reach	457 mm (18 in.)	515 mm (20 in.)	571 mm (22.5 in.)



Rear Ripper 750L XLT / 750L LGP / 750L

Multi-shank (3) parallelogram ripper	
Weight	1957 kg (4,314 lb.)
P Maximum Penetration	741 mm (29 in.)
Q Maximum Clearance Under Tip	638 mm (25 in.)
R Overall Length, Lowered Position	1689 mm (67 in.) (5 ft. 7 in.)
R^l Overall Length, Raised Position	1448 mm (57 in.) (4 ft. 9 in.)
S Overall Beam Width	2134 mm (84 in.) (7 ft. 0 in.)
T Slope Angle (full raise)	22 deg.
U Ripping Width	1880 mm (74 in.) (6 ft. 2 in.)
V Distance Between Shanks	902 mm (36 in.) (3 ft. 0 in.)



Additional equipment

Key: ● Standard ▲ Optional or special

See your John Deere dealer for further information.

700L	750L	Engine
●	●	Meets EPA Final Tier 4/EU Stage V emissions
●	●	John Deere PowerTech™ PVS 6068 6.8L engine
●	●	Wet-sleeve cylinder liners
●	●	Eco mode
●	●	Exhaust stack, black
▲	▲	Exhaust stack, chrome
●	●	Turbocharged and air-to-air aftercooled
●	●	Dual-element dry-canister air cleaner
●	●	Engine glow-plug starting system
●	●	Programmable auto engine shutdown
●	●	Automatic turbo cool-down timer
●	●	Exhaust filter, under hood, with vertical stack
●	●	Fuel filters with automatic electronic priming
▲	▲	Severe-duty fuel filter
▲	▲	Engine coolant heater, 120 volt
●	●	110-amp alternator (canopy)
●	●	145-amp alternator (cab)
Cooling		
●	●	Hydraulically driven cooling fan, variable-speed suction type
●	●	Engine cooling rated -37 deg. C (-34 deg. F)
▲	●	Automatic, programmable reversing fan
●	●	Engine radiator, hydrostatic (HST) cooler, and hydraulic cooler, 10 fins per inch
●	●	Enclosed safety fan guard (conforms to SAE J1308 and ISO 3457)
●	●	Single-plane non-stacked cooler design

700L	750L	Powertrain
●	●	Dual-path HST transmission
●	●	Reverse-speed ratios (100%, 115%, and 130% presets or operator defined)
●	●	Operator-selectable decelerator function (hydrostats and engine or hydrostats only)
●	●	Single-lever steering with counter-rotate function
●	●	Full power turns with infinitely variable track speed
●	●	HST (dynamic) service brakes
●	●	Wet, multi-disc parking brake
●	●	Remote diagnostic test ports
●	●	Automatic cold-weather transmission warmup system
●	●	Automatic transmission derating for exceeded system temperatures
	●	Vented dedicated transmission reservoir and filtration system separate from hydraulic system
Hydraulic System		
●		Electrohydraulic (EH) system with fixed-displacement hydraulic gear pump
	●	Load-sense EH system with variable-displacement piston pump
●	●	3-spool EH control valve for Power-Angle-Tilt (PAT)
	●	3-spool EH control valve for Outside Dozer (OSD) with single auxiliary
▲	▲	4-spool EH control valve for PAT with single auxiliary

700L	750L	Hydraulic System (continued)
●	●	Grade-control-ready EH hydraulics
▲	▲	SmartGrade™ ready including Slope Control system
▲	▲	SmartGrade 3D mastless grade control including Slope Control
●	●	Hydrau™ All-Season Hydraulic Oil, -25 deg. C to 50 deg. C (-13 deg. F to 122 deg. F)
▲	▲	Hydrau™ XR Hydraulic Oil, -40 deg. C to 40 deg. C (-40 deg. F to 104 deg. F)
	▲	Cylinder-rod scrapers (PAT only)
●	●	Hydraulic pump, standard
	▲	Hydraulic pump, high flow
▲	▲	Hydraulic pump for direct-drive winch
	●	Vented dedicated hydraulic reservoir and filtration system separate from transmission system
Undercarriage		
●	●	Full-length, smooth-surface track frame covers
●	●	Double-flange rollers
●	●	Oscillating undercarriage
●	●	Maximum Life undercarriage system
▲	●	Heavy-duty sealed and lubricated undercarriage
▲	▲	Extended Life undercarriage with SC-2™ bushings
▲	▲	Full-length rock guards

While general information, pictures, and descriptions are provided, some illustrations and text may include product options and accessories NOT AVAILABLE in all regions, and in some countries products and accessories may require modifications or additions to ensure compliance with the local regulations of those countries.

Net engine power is with standard equipment including air cleaner, exhaust system, alternator, and cooling fan at test conditions specified per ISO9249. No derating is required up to 3050-m (10,000 ft.) altitude. Also available: winches, fair-leads, log arches, skidding grapples, trash packages, landfill protection packages, cable plows, side booms, field-installed cab for canopy, canopy heater, and fire-suppression systems. Specifications and design subject to change without notice. Wherever applicable, specifications are in accordance with SAE standards. Except where otherwise noted, these specifications are based on units with ROPS, full fuel tanks, and 79-kg (175 lb.) operators. Operator station ROPS and FOPS certified.

Additional equipment *(continued)*

Key: ● Standard ▲ Optional or special

See your John Deere dealer for further information.

700L	750L	Operator's Station
▲	▲	Canopy cab with under-seat heater
▲	▲	Enclosed cab with air/heat
▲	▲	Automatic temperature control (ATC) system
●	●	Standard seat, vinyl with heavy-duty air suspension (canopy)
●	●	Deluxe seat, cloth with heavy-duty air-suspension (cab)
▲	▲	Premium seat, leather-accented, heated and ventilated, with heavy-duty air-suspension (cab)
●	●	Under-seat heater (canopy)
●	●	AM/FM/Weather-Band (WB) radio with front auxiliary (cab)
▲	▲	Premium radio with Bluetooth®, AM/FM/WB radio, remote auxiliary, and remote USB port (cab)
●	●	Multifunction/multi-language 178-mm (7 in.) color LCD monitor: Tachometer, hour meter, transmission direction and speed (forward/reverse), exhaust filter status, ambient temperature, and clock
●	●	Built-in diagnostics: Diagnostic-code details / Sensor values / Calibrations / Individual circuit tester
●	●	Backup alarm
▲	▲	Rearview camera
●	●	12-volt accessory plug (1)
▲	▲	Additional 12-volt accessory plug
●	●	Keyless start with multiple security codes

700L	750L	Operator's Station <i>(continued)</i>
●	●	Retractable seat belt, 76 mm (3 in.) (conforms to SAE J368)
▲	▲	Fire extinguisher mounting bracket
▲	▲	External-mounted rear-attachment mirror (cab)
▲	▲	Rear wiper and washer (cab)
Overall Vehicle		
●	●	Environmental drain package
▲	▲	Fluid-sample ports
●	●	JDLink™ wireless machine communication system (available in specific countries; see your local dealer for details)
▲	▲	Quick service ports (HST, hydraulic, and engine oil, and coolant)
●	●	Halogen lights: cab-mounted front (2) and cab-mounted rear (2)
▲	▲	Premium LED lights: cab-mounted front (4) and cab-mounted rear (2)
▲	●	Engine-compartment light
▲	▲	Beacon light
▲	▲	Trimble-ready interface package
▲	▲	Leica-ready interface package
▲	▲	Heavy-duty grille
▲	▲	Final-drive trash guards (waste applications)
▲	▲	Full screens for cab
▲	▲	Rear window screen
	▲	Large debris prescreen
▲	▲	Forestry limb risers (sweeps)
●	●	Lockable master electrical disconnect switch

700L	750L	Attachments	
▲	▲	Rear ripper, parallelogram	
▲		Counterweight, front, 144 kg (317 lb.)	
▲	▲	Single rear counterweight	
▲	▲	Retrieval hitch with pin	
▲	▲	Retrieval hitch with 1 counterweight	
▲	▲	Extended rigid drawbar	
▲	▲	Extended rigid drawbar with 1 counterweight	
▲		Winch, John Deere 4000S, power in/free spool out OR power out	
▲		4-roller fairlead for winch	
	▲	Threaded pitch jack (OSD only)	
XLT	LGP	700L Shoes	
●	▲	559-mm (22 in.) moderate service	
	▲	610-mm (24 in.) moderate service	
	●	760-mm (30 in.) moderate service	
STD	XLT	LGP	750L Shoes
	●	▲	559-mm (22 in.) moderate service
●	▲	▲	610-mm (24 in.) moderate service with clipped corners
▲	▲	▲	610-mm (24 in.) extreme service with clipped corners
		▲	710-mm (28 in.) moderate service
		●	860-mm (34 in.) moderate service with clipped corners

While general information, pictures, and descriptions are provided, some illustrations and text may include product options and accessories NOT AVAILABLE in all regions, and in some countries products and accessories may require modifications or additions to ensure compliance with the local regulations of those countries.

Net engine power is with standard equipment including air cleaner, exhaust system, alternator, and cooling fan at test conditions specified per ISO9249. No derating is required up to 3050-m (10,000 ft.) altitude. Also available: winches, fair-leads, log arches, skidding grapples, trash packages, landfill protection packages, cable plows, side booms, field-installed cab for canopy, canopy heater, and fire-suppression systems. Specifications and design subject to change without notice. Wherever applicable, specifications are in accordance with SAE standards. Except where otherwise noted, these specifications are based on units with ROPS, full fuel tanks, and 79-kg (175 lb.) operators. Operator station ROPS and FOPS certified.

